

STANDARD AND OPTIONAL EQUIPMENT

* STANDARD EQUIPMENT

• Hydraulic system

- Boom and arm flow regeneration
- Boom and arm holding valves
- Swing anti-rebound valves
- Spare ports(Control valve)
- One-touch power boost

• Cabin & Interior

- Viscous cab mounts
- All weather sound suppressed type cab
- Air conditioner & Heater
- Adjustable suspension seat with head rest and adjustable arm rest
- Pull-up type front window and removable lower front window
- Room light
- Intermittent windshield wiper
- Cigarette lighter and ashtray
- Cup holder
- Hot & Cool box
- LCD color monitor panel
- E/G RPM control dial
- AM/FM radio
- Remote radio ON/OFF switch
- 12V spare powers socket
- Serial communication port for laptop PC interface
- Joystick lever with 3 switches
- Sunvisor
- Sun roof

• Safety

- Large handrails and step
- Convex metal anti-slip plates
- Seat belt
- Hydraulic safety lock lever
- Safety glass
- Hammer for emergency escape
- Right and left rearview mirrors
- Travel alarm
- Battery protector cover

• Others

- Double element air cleaner
- Water separator
- fuel filter
- Dust screen for radiator/oil cooler
- Engine overheat prevention system
- Engine restart prevention system
- Self-diagnostic system
- Alternator(24V, 50 amps)
- Electric horn
- Halogen working lights(frame mounted 1, boom mounted 2)
- Hydraulic track adjuster
- Track guards
- Greased and sealed track link
- Hydraulic oil tank air breather filter

* OPTIONAL EQUIPMENT

Some of these optional equipments may be standard in some markets. Some of this optional equipment is not available in some markets. You must check with the local DOOSAN dealer to know about the availability or to release the adaptation following the needs of the applications.

• Safety

- Boom and arm hose rupture protection valve
- Overload warning device
- Cabin Top/Front guard(ISO 10262, FOGS standard)
- Travel & swing alarm
- Rotation beacon
- Lock Valve

• Cabin & Interior

- Air suspension seat
- MP3/CD player
- Cassette player
- Rain Shield

• Others

- Piping for crusher
- Piping for quick clamp
- Piping Option
 - Breaker with flow control valve - Crusher
 - Crusher with tilting - Rotating
 - Clamshell - Quick Clamp
- 700mm/800mm/900mm shoe
- Lower wiper
- Fuel heater
- 80A alternator
- Fuel Filler Pump
- Working Lights
 - 4-front/2-rear on cabin
 - 2-front on cabin
 - 1 on counterweight
- Counterweight

**Seoul Office :**

Doosan Tower 27th FL. 18-12, Euljiro-6 Ga,
Jung-Gu, Seoul, Korea 100-730

Tel : +82-2-3398-8049

Fax : +82-2-3398-8117

www.doosaninfracore.com

Doosan Infracore Europe S.A.

1A, Rue Achille Degrace, 7080 Frameries, Belgium
Tel : +32-65-61-3230 Fax : +32-65-67-7338

Doosan Infracore U.K., Ltd.

Doosan House, Unit 6, 3 Heol Y Gamlas, Parc Nantgarw, Nantgarw,
Cardiff. CF15 7QU, U.K.
Tel : +44-1443-84-2273 Fax : +44-1443-84-1933

Doosan Infracore Europe S.A. Gernay

Heinrich-von- Stephan str. 2 40764 Langenfeld, Germany
Tel : +49-2173-2035-210 Fax : +49-2173-2035-219

Doosan Infracore France

ZAC de La Clef Saint Pierre - Buroplus 2 1A Avenue Jean d'Alembert
78990 Elancourt, France
Tel : +33-(0)1-30-16-21-41 Fax : +33-(0)1-30-16-21-44

Doosan Infracore America Corporation

2905 Shawnee Industrial Way, Suwanee, Georgia 30024, U. S. A
Tel : +1-770-831-2200 Fax : +1-770-831-0480

Doosan Infracore China Co., Ltd.

#28, Wuzhishan Road, Eco. & Tech, Development Zone, Yantai, Shandong, China
Tel : +86-535-638-2000 Fax : +86-535-638-2004

Doosan Infracore Russia

123242, Moscow, Kapranova Lane, bld.3, office 402, 4-th floor
Business Centre "Premier Plaza"
Tel : +7 (495)663 82 38/ (499) 923 12 55 Fax: +7 (495) 663 82 39

Doosan Infracore Middle East Center (Dubai)

P.O.Box 183127, Al-Serkal Building, Air Port Road, Dubai, U.A.E
Tel : +971-4-295-2781~2 Fax : +971-4-295-2783

Doosan Infracore do Brasil Serviços de Suporte Comercial Ltda.

Alameda Santos 2222 Cj52 CEP 01418.200 São Paulo, SP, Brasil
Tel : +55-11-3061-3227 Fax : +55-11-3061-2731

Doosan Infracore India Pvt.Ltd

Plot No. 34, Door No. 1/61-19, Palwels street, Ravi Colony,
St. Thomas Mount, Chennai-600 016
Tel : +91-44-4222-3900 Fax : +91-44-4222-3905



PBP D225CA00 0807

The illustrations do not necessary show the product in standard version.
All products and equipment are not available in all markets.
Materials and specifications are subject to change without prior notice.



Doosan Infracore
Construction Equipment

DX225LCA

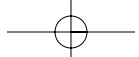
Engine Power : SAE J1995, gross 116kW(155HP)@1,900rpm

SAE J1349, net 110kW(148HP)@1,900rpm

Operational Weight : 21,500kg(47,399 lb) - STD.

Bucket capacity(SAE) : 0.81 ~ 1.17m³(1.06 ~ 1.53 cu.yd)





Doosan DX225LCA Hydraulic Excavator : A New Model with Novel Features

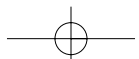


DX225LCA

The new DX225LCA hydraulic excavator has all the advantages of the previous model, the Solar 225LC and now offers additional added value to the operator.



The key phrase used during the development of the DX225LCA was “giving optimum value to the end user.” This translates, in concrete terms, into :





Increased production and improved fuel economy thanks to electronic optimization of the hydraulic system and the improved DOOSAN engine.

Improved ergonomics, increased comfort and excellent all round visibility ensuring a safe and pleasant working environment.

Improved reliability through the use of high performance materials combined with new methods of structural stress analysis have lead to increased component life expectancy, thus reducing running costs.

Reduced maintenance increased the availability of the excavator and reduces running costs.

HANDLING

The hydraulic excavator's power, durability, ease of servicing and its precise control increase its effectiveness and life expectancy. With the DX225LCA, DOOSAN offers an excellent return on investment.



Multi-function Color LCD Monitor Panel

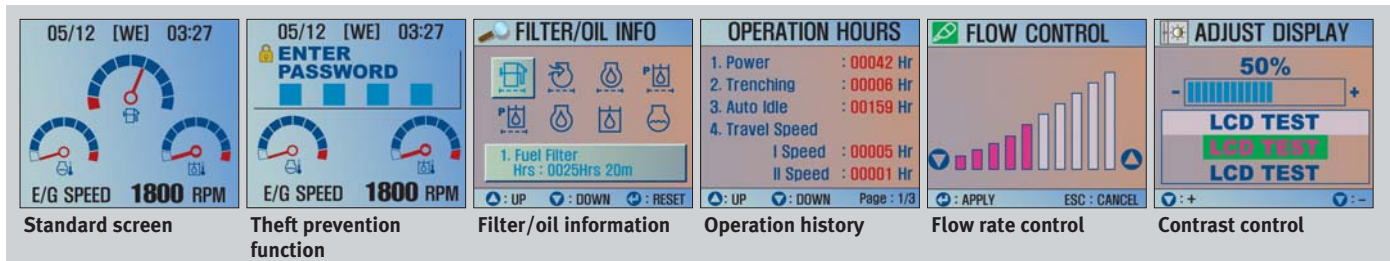
Warning lights

Operation modes

- Mode selection
- Flow rate control
- Auto deceleration
- Display selection

Control panel

With color LCD display



Choice of operating modes

Power mode

- Standard: uses 85% engine power for all work
- Power: uses 100% engine power for heavy work



Control lever

Very precise control of the equipment increases versatility, safety and facilitates tricky operations requiring great precision.

Levelling operations and the movement of lifted loads in particular are made easier and safer.

The control levers have additional electrical buttons for controlling other additional equipment (for example, grabs, crushers, grippers, etc.)



Cellular phone box



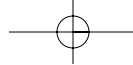
12V Power socket



Cigarette lighter



Glass antenna



COMFORT

DX225LCA

The work rate of the hydraulic excavator is directly linked to the performance of its operator. DOOSAN designed the DX225LCA by putting the operator at the center of the development goals. The result is significant ergonomic value that improves the efficiency and safety of the operator.

More space, better visibility, air conditioning, a very comfortable seat... These are all elements that ensure that the operator can work for hours and hours in excellent conditions.



Control panel

Correct positioning with clear controls makes the operator's task easier.



The high performance air conditioning provides an air flow which is adjusted and electronically controlled for the conditions. Five operating modes enable even the most demanding operator to be satisfied.



Air suspension seat (Opt.)

Equipped with various functions of adjustment back and forth and lumbar support, it reduces the vibration of equipment transmitted during work in an effective way. Also for considering winter working environment, seat warmer functions equipped.



Visibility has been improved in all directions and the size of the cab has been increased.



Appropriate storage spaces show the attention given to the operator.



Comfortable 2-stage sliding seat



Control stand (Telescopic Function)

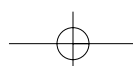


MP3/CD Player (Opt.)



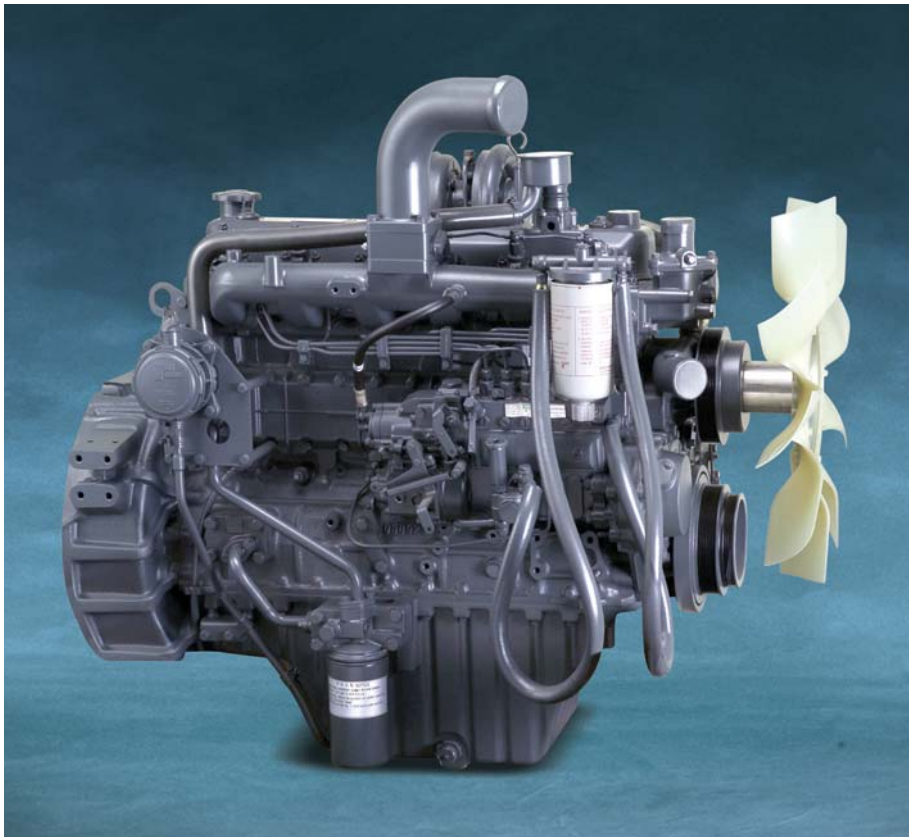
Audio Button

Audio Button has been positioned in a way that the driver can turn on/off the radio, control the volume, and select a channel conveniently.



PERFORMANCE

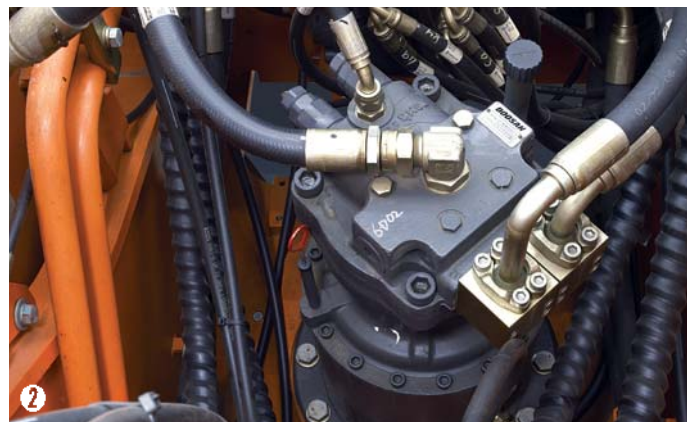
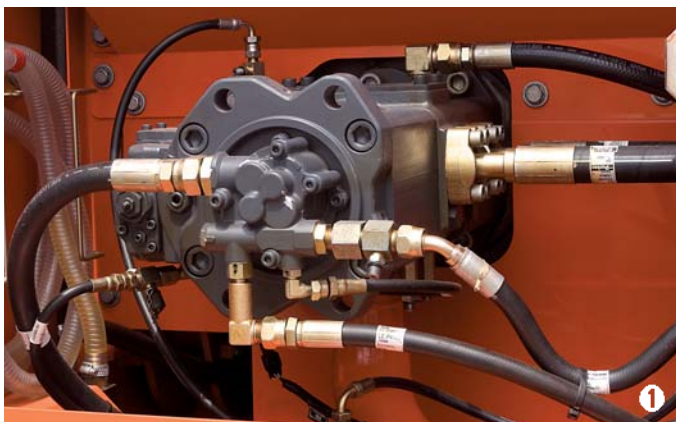
The performance of the DX225LCA has a direct effect on its productivity. Its new improved engine and new e-EPOS controlled hydraulic system have combined to create an unbeatable hydraulic excavator, with a cost/performance ratio that makes the DX225LCA even more appealing.



DOOSAN DB58TIS ENGINE

At the heart of the hydraulic excavator is the improved DOOSAN DB58TIS engine. It is combined with the new e-EPOS electronic control system, for optimum power and fuel saving.

- Better performance by improved engine
- Energy efficiency reduces fuel consumption



1 Hydraulic Pump

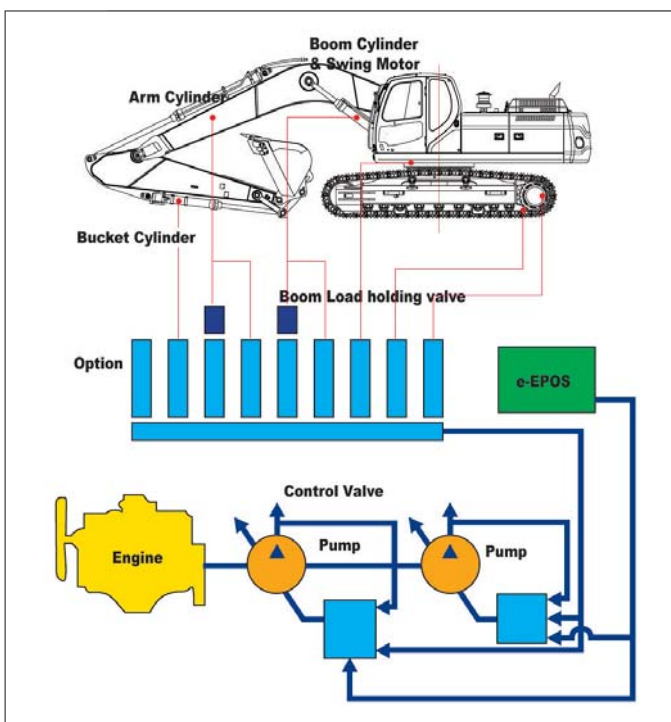
The Main pump has a capacity of 2x206.5 ℓ /min reducing cycle time while a high capacity gear pump improves pilot line efficiency.

2 Swing drive

Shocks during rotation are minimized, while increased torque is available to ensure rapid cycles.

3 Travel device

New design travel device gets more performance by improving efficiency and simplification of the internal structure.



EXCAVATOR CONTROL

New e-EPOS system (Electronic Power Optimizing System)

The brains of the hydraulic excavator, the e-EPOS, have been improved, through a CAN (Controller Area Network) communication link, enabling a continuous exchange of information between the engine and the hydraulic system. These units are now perfectly synchronised.

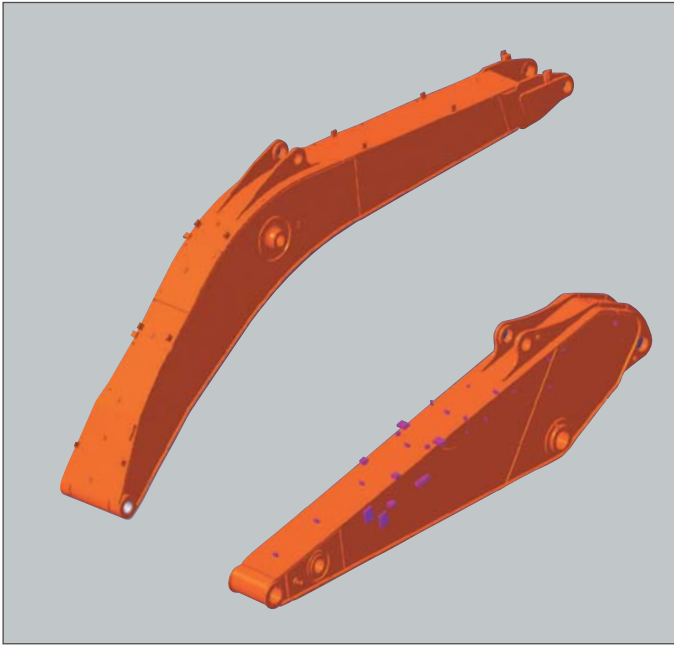
The advantages of the new e-EPOS impacts at several levels, Ease of operation and user-friendliness:

- The availability of a power mode and standard mode guarantee maximum efficiency under all conditions.
- The automatic deceleration mode enables fuel saving.
- Regulation and precise control of the flow rate required by the equipment are available as standard.
- A self-diagnosis function enables technical problems to be resolved quickly and efficiently.
- An operational memory provides a graphic display of the status of the machine.
- Maintenance and oil change intervals can be displayed.

RELIABILITY

The reliability of an item of plant contributes to its overall lifetime operating costs. DOOSAN uses computer-assisted design techniques, highly durable materials and structures then test these under extreme conditions.

Durability of materials and longevity of structures are our first priorities.

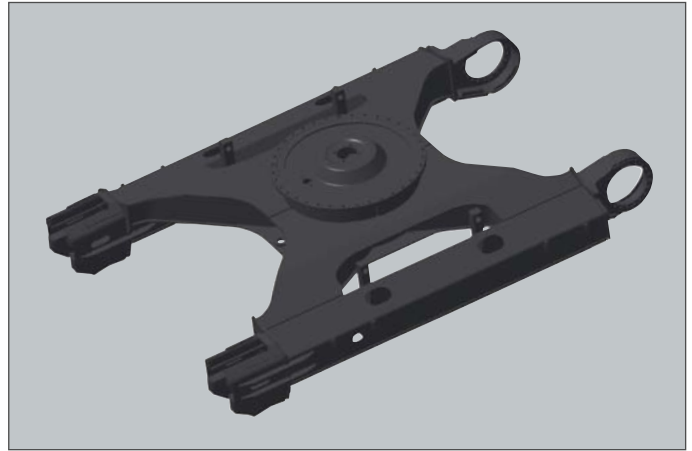


Strengthened Boom

The Shape of the boom has been optimized by finite elements design, allowing the loads to be better distributed throughout the structure. This combined with increased material thickness means improved durability and reliability by limiting element fatigue.

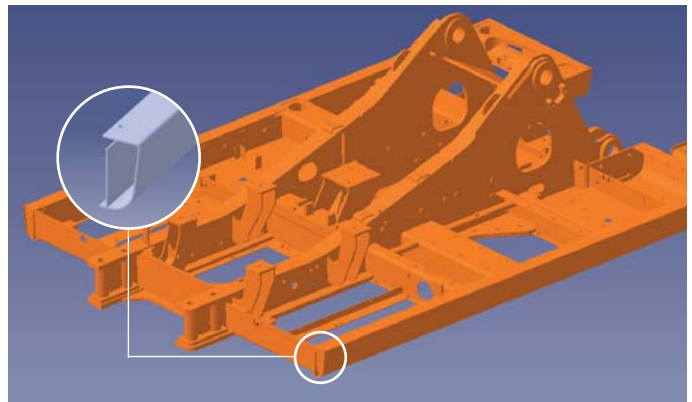
Arm Assembly

In the arm assembly greater strength has been gained by using cast elements and reinforcement around the bosses to give it an increased lifetime.



X-chassis

The X-chassis frame section has been designed using finite element and 3-dimensional computer simulation, to ensure greater durability and optimum structural integrity. The swing gear is solid and stable.



D-type Frame

The D-type frame and chassis frame add strength and minimize distortion due to shocks.



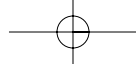
Sintered Bushing

A highly lubricated metal sintered bushing is used for all front pivot points in order to increase the lifetime and durability. Extend the greasing intervals to 250 hours.(except buck)



Ultra-hard wear-resistant disc

New materials have been used in order to increase the wear resistance and to increase the service intervals. The longevity is greatly increased by the addition of wear plates on the inside and outside of the bucket lugs.

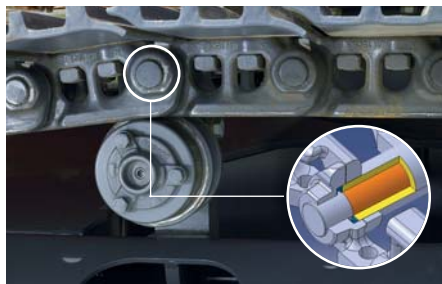


DX225LCA



Integrated Track Spring and Idler

The track spring and the idler have been joined directly to achieve high durability and improved maintenance convenience.



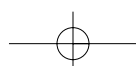
Tracks

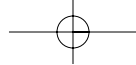
The chain is composed of self-lubricating sealed links isolated from all external contamination. The tracks are locked by mechanically bolted pins.



Polymer shim

A polymer shim is added to the bucket pivot to maintain precise control over the equipment.





MAINTENANCE

Short maintenance operations at long intervals increase the availability of the equipment on site. DOOSAN has developed the DX225LCA with a view to high profitability for the user.



Engine oil filter

The engine oil filter offers a high level of filtration allowing the oil change interval to be increased to 500 hours. It is easy to access and is positioned to avoid contaminating the surrounding environment.



Easy maintenance

Access to the various radiators is very easy, making cleaning easier. Access to the various parts of the engine is from the top and via side panels.



Hydraulic oil return filter

The protection of the hydraulic system is made more effective by the use of glass fiber filter technology in the main oil return filter. This means that with more than 99.5% of foreign particles filtered out, the oil change interval is increased.



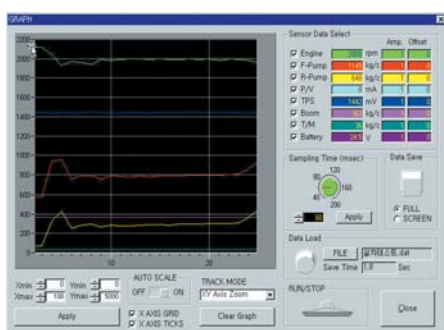
Air cleaner

The large capacity forced air cleaner removes over 99% of airborne particles, reducing the risk of engine contamination and making the cleaning and cartridge change intervals greater.



Water separator

High efficiency and large capacity water separator protect the engine by removing most moisture from the fuel.



PC Monitoring (DMS)

A PC monitoring function enables connection to the e-EPOS system, allowing various parameters to be checked during maintenance, such as pump pressures, engine rotation speed, etc. and these can be stored and printed for subsequent analysis.



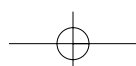
Convenient Fuse Box

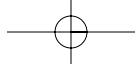
The fuse box is conveniently located in a section of the storage compartment behind the operator's seat providing a clean environment and easy access.



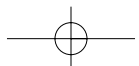
Centralized grease inlets for easy maintenance

The arm grease inlets are grouped for easy access.





DX225LCA



TECHNICAL SPECIFICATIONS

DX225LCA

* ENGINE

• Model

Doosan DB58TIS
4 valves per cylinder, vertical injectors, water cooled,
turbo charged with air to air intercooler. The emission levels are
well below the values required for phase II.

• Number of cylinders

6

• Nominal flywheel power

116 kW(155 HP) @ 1,900 rpm (SAE J1995, gross)
110 kW(148 HP) @ 1,900 rpm (SAE J1349, net)

• Max torque

61.5 kgf.m(603 Nm) at 1,400 rpm

• Piston displacement

5,785 cc (353 cu.in)

• Bore & stroke

102 mm x 118 mm (4.0" X 4.6")

• Starter

24 V / 4.5 kW

• Batteries

2 x 12 V / 100 Ah

• Air cleaner

Double element with auto dust evacuation.

* HYDRAULIC SYSTEM

The heart of the system is the e-EPOS (Electronic Power Optimizing System). It allows the efficiency of the system to be optimized for all working conditions and minimizes fuel consumption.

- The hydraulic system enables independent or combined operations.
- Two travel speeds offer either increased torque or high speed tracking.
- Cross-sensing pump system for fuel savings.
- Auto deceleration system.
- Two operating modes, two power modes.
- Button control of flow in auxiliary equipment circuits.
- Computer-aided pump power control.

• Main pumps

2 variable displacement axial piston pumps
Max flow: 2 x 206.5 ℓ /min (2 X 55 US gpm, 2 X 45 Imp gpm)

• Pilot pump

Gear pump - max flow: 28.5 ℓ /min (7.5 US gpm, 6.3 Imp gpm)

• Maximum system pressure

Boom/arm/Bucket:
Normal mode: 330 kgf/cm²(324 bar)
Power mode: 350 kgf/cm²(343 bar)
Travel: 330 kgf/cm²(324 bar)
Swing: 270 kgf/cm²(264 bar)

* WEIGHT

Boom 5,700 mm (18'8") • Arm 2,900 mm (9'6") • Bucket SAE 0.92 m³ (1.20 yd³)

	Shoe width	Operating weight	Ground pressure (kgf/cm ²)
Triple Grouser	(Std)600 mm (2')	21,500 kg (47,399 lb)	0.45 kgf/cm ² (44 kpa, 6.40 psi)
	700 mm (2'4")	21,800 kg (48,060 lb)	0.40 kgf/cm ² (39 kpa, 5.69 psi)
	800 mm (2'8")	22,100 kg (48,721 lb)	0.35 kgf/cm ² (34 kpa, 4.78 psi)
	900 mm (2'11")	22,400 kg (49,383 lb)	0.31 kgf/cm ² (30 kpa, 4.41 psi)

* HYDRAULIC CYLINDERS

The piston rods and cylinder bodies are made of high-strength steel. A shock absorbing mechanism is fitted in all cylinders to ensure shock-free operation and extend piston life.

Cylinders	Quantity	Bore x Rod diameter x stroke
Boom	2	125 X 85 X 1,260mm(4.9" X 3.3" X 4'2")
Arm	1	140 X 100 X 1,450mm(5.5" X 3.9" X 4'9")
Bucket	1	120 X 80 X 1,630mm(4.7" X 3.1" X 5'4")

* UNDERCARRIAGE

Chassis are of very robust construction, all welded structures are designed to limit stresses.

High-quality material used for durability.

Lateral chassis welded and rigidly attached to the undercarriage.

Track rollers lubricated for life, idlers and sprockets fitted with floating seals.

Tracks shoes made of induction-hardened alloy with double grouser.

Heat-treated connecting pins.

Hydraulic track adjuster with shock-absorbing tension mechanism.

• Number of rollers and track shoes per side

Upper rollers: 2 (standard shoes)

Lower rollers: 9

Shoes: 49

Total length of track: 4,445mm (14'7")

* ENVIRONMENT

Noise levels comply with environmental regulations (dynamic values).

• Sound level guarantee

103 dB(A) (2000/14/EC)

• Cab sound level

73 dB(A) (ISO 6396)

* SWING MECHANISM

- An axial piston motor with two-stage planetary reduction gear is used for the swing.
- Increased swing torque reduces swing time.
- Internal induction-hardened gear.
- Internal gear and pinion immersed in lubricant bath.
- The swing brake for parking is activated by spring and released hydraulically.

Swing speed: 0 to 11.0 rpm

* DRIVE

Each track is driven by an independent axial piston motor through a planetary reduction gearbox.

Two levers with control pedals guarantee smooth travel with counter-rotation on demand.

• Travel speed (fast/slow)

5.5/3.0km/h (3.4/1.9mph)

• Maximum traction force

11,700 / 22,200 kgf (25,794 / 48,942 lbf)

• Maximum grade

35° / 70%

* REFILL CAPACITIES

• Fuel tank

400 ℓ (105.7 US gal, 88 Imp gal)

• Cooling system (Radiator capacity)

24 ℓ (6.3 US gal, 5.3 Imp gal)

• Engine oil

27 ℓ (7.1 US gal, 5.9 Imp gal)

• Swing drive

5 ℓ (1.32 US gal, 1.1 Imp gal)

• Final drive (each)

3.3 ℓ (0.87 US gal, 0.73 Imp gal)

• Hydraulic system

330 ℓ (87 US gal, 73 Imp gal)

• Hydraulic tank

240 ℓ (63.4 US gal, 52.8 Imp gal)

* BUCKET

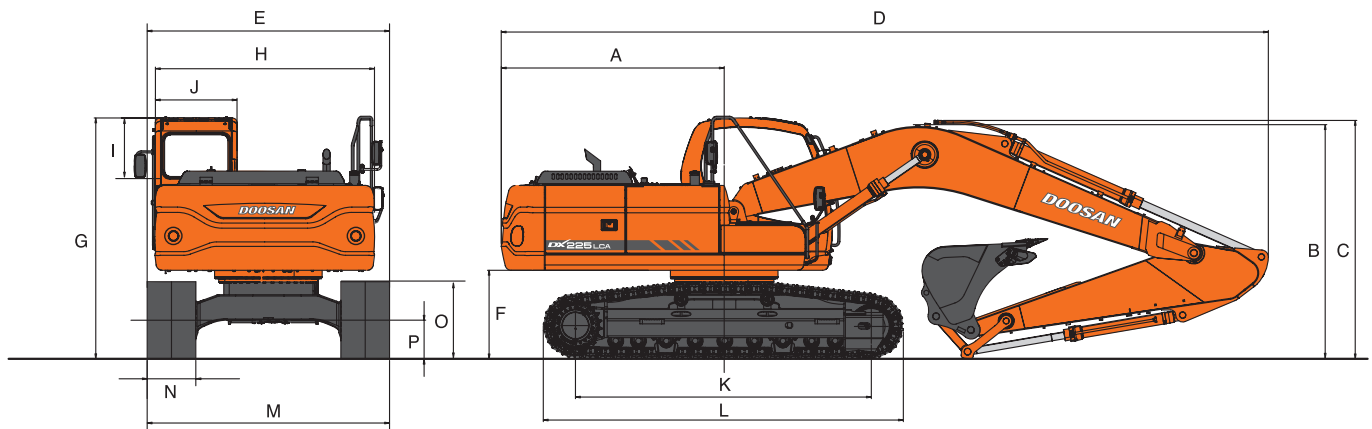
Capacity		Width		Weight	Recommendation					
PCSA, heaped	CECE heaped	Without side cutters	With side cutters		5,200mm (17'1") Boom		5,700mm (18'8") Boom			
					2,000mm (6'7") Arm	2,400mm (7'10") Arm	2,000mm (6'7") Arm	2,400mm (7'10") Arm	2,900mm (Std.) (9'6") Arm	3,500mm (11'6") Arm
0.51m ³ (0.67yd ³)	0.47m ³ (0.62yd ³)	722mm (2'4")	772mm (2'6")	530 kg (1,168 lb)	A	A	A	A	A	A
0.81m ³ (1.06yd ³)	0.72m ³ (0.94yd ³)	1,064mm (3'6")	1,126mm (3'8")	654 kg (1,442 lb)	A	A	A	A	A	B
0.92m ³ Std.(1.20yd ³)	0.81m ³ (1.06yd ³)	1,172mm (3'10")	1,236mm (4'1")	710 kg (1,565 lb)	A	A	A	A	B	C
1.05m ³ (1.37yd ³)	0.92m ³ (1.20yd ³)	1,308mm (4'3")	1,370mm (4'6")	740 kg (1,631 lb)	A	A	A	B	C	-
1.17m ³ (1.53yd ³)	1.0m ³ (1.31yd ³)	1,428mm (4'8")	1,491mm (4'11")	795 kg (1,753 lb)	A	B	B	C	-	-
1.28m ³ (1.67yd ³)	1.11m ³ (1.45yd ³)	1,542mm (5'1")	1,605mm (5'3")	830 kg (1,830 lb)	B	C	C	-	-	-

A. Suitable for materials with density of 2,000 kg/m³ (3,370 lb/CU .yd) or less

B. Suitable for materials with density of 1,600 kg/m³ (2,700 lb/CU .yd) or less

C. Suitable for materials with density of 1,100 kg/m³ (1,850 lb/CU .yd) or less

DIMENSIONS



* DIMENSIONS

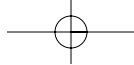
Boom 5,700 mm (18'8") - Arm 2,900 mm (9'6") - Shoe 600 mm (2') - Std

Boom type (One piece)	5,700mm(18'8")		5,200mm(17'1")		
Arm type	2,400mm (7' 10")	(Std.) 2,900mm (9' 6")	3,500mm (11' 6")	2,000mm (6' 7")	2,400mm (7' 10")
Bucket type (pcsa)	1.05m ³	(Std.) 0.92m ³	0.81m ³	1.28m ³	1.17m ³
A Tail Swing Radius	→	2,750mm (9')	←	←	←
B Shipping Height (Boom)	3,045mm (10')	2,940mm (9' 8")	3,225mm (10' 7")	3,145mm (10' 4")	2,985mm (9' 10")
C Shipping Height (Hose)	3,110mm (10' 2")	3,005mm (9' 10")	3,290mm (10' 10")	3,210mm (10' 6")	3,050mm (10')
D Shipping Length	9,500mm (31' 2")	9,485mm (31' 1")	9,500mm (31' 2")	9,080mm (29' 9")	8,990mm (29' 6")
E Shipping Width	→	2,990mm (9' 10")	←	←	←
F C/Weight Clearance	→	1,055mm (3' 6")	←	←	←
G Height Over CAB.	→	2,975mm (9' 9")	←	←	←
H House Width	→	2,710mm (8' 11")	←	←	←
I CAB. Height above House	→	845mm (2' 9")	←	←	←
J CAB. Width	→	960mm (3' 2")	←	←	←
K Tumbler Distance	→	3,650mm (11' 12")	←	←	←
L Track Length	→	4,445mm (14' 7")	←	←	←
M Undercarriage Width	→	2,990mm (9' 10")	←	←	←
N Shoe Width	→	600mm (2')	←	←	←
O Track Height	→	947mm (3' 1")	←	←	←
P Car Body Clearance	→	480mm (1' 7")	←	←	←

* DIGGING FORCE (ISO)

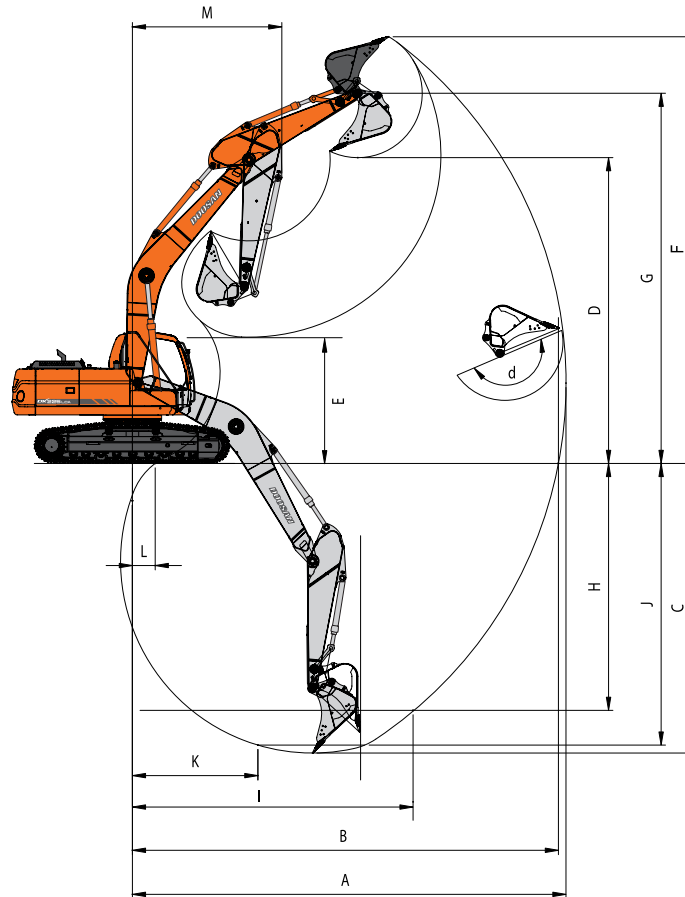
Bucket (PCSA)	0.51m ³	0.81m ³	(Std.) 0.92m ³	1.05m ³	1.17m ³	1.28m ³
Digging force	15,200 kgf	15,200 kgf	15,200 kgf	15,200 kgf	15,200 kgf	15,200 kgf
	149.2 kN	149.2 kN	149.2 kN	149.2 kN	149.2 kN	149.2 kN
	33,510 lbf	33,510 lbf	33,510 lbf	33,510 lbf	33,510 lbf	33,510 lbf
Arm	2,000mm	2,400mm	(Std.) 2,900mm	3,500mm		
Digging force	15,300 kgf	12,600 kgf	10,800 kgf	9,700 kgf		
	150.1 kN	123.7 kN	106 kN	95.2 kN		
	33,730 lbf	27,778 lbf	23,810 lbf	21,385 lbf		

At power boost (ISO)



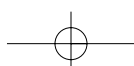
WORKING RANGES

DX225LCA



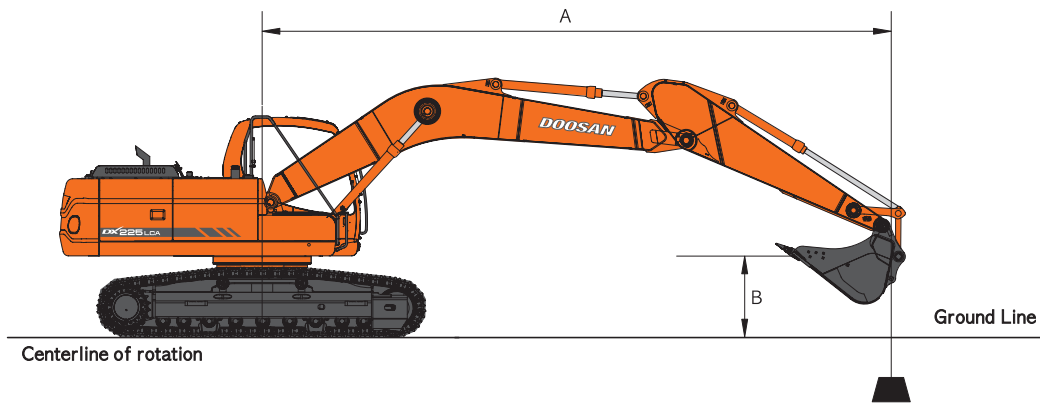
* WORKING RANGE

Boom length	5,700mm(18'8")		5,200mm(17'1")		
Arm type	2,400mm (7' 10")	(Std.)2,900mm (9' 6")	3,500mm (11' 6")	2,000mm (6' 7")	2,400mm (7' 11")
Bucket type (pcsa)	1.05m ³	(Std.)0.92m ³	0.81m ³	1.28m ³	1.17m ³
A. Max. digging reach	9,480 (31' 1")	9,900 (32' 6")	10,340 (33' 11")	8,580 (28' 2")	8,950 (29' 4")
B. Max. digging reach at ground level	9,300 (30' 6")	9,730 (31' 11")	10,230 (33' 7")	8,380 (27' 6")	8,760 (28' 9")
C. Max. digging depth	6,110 (20' 1")	6,620 (21' 9")	7,220 (23' 8")	5,355 (17' 7")	5,755 (18' 11")
D. Max. dumping height	6,830 (22' 5")	6,990 (22' 11")	7,150 (23' 6")	6,085 (20')	6,300 (20' 8")
E. Min. dumping height	3,070 (10' 1")	2,555 (8' 5")	1,953 (6' 5")	3,370 (11' 1")	3,195 (10' 6")
F. Max. digging height	9,630 (31' 7")	9,750 (32')	9,870 (32' 5")	8,845 (29')	9,065 (29' 9")
G. Max. bucket pin height	8,299 (27' 3")	8,450 (27' 9")	8,612 (28' 3")	7,555 (24' 9")	7,770 (25' 6")
H. Max. vertical wall depth	5,390 (17' 8")	5,640 (18' 6")	6,010 (19' 9")	4,435 (14' 7")	4,880 (16')
I. Max. radius vertical	6,050 (19' 10")	6,410 (21')	6,750 (22' 2")	5,790 (19')	5,842 (19' 2")
J. Max. digging depth(8'level)	5,910 (19' 5")	6,430 (21' 1")	7,050 (23' 2")	5,115 (16' 9")	5,545 (18' 2")
k. Min. radius 8' line	2,880 (9' 5")	2,865 (9' 5")	2,830 (9' 3")	2,495 (8' 2")	2,510 (8' 3")
L. Min. digging reach	1,698 (5' 7")	519 (1' 8")	-224 (-9')	1,819 (6')	640 (2' 1")
M. Min. swing radius	3,410 (11' 2")	3,410 (11' 2")	3,440 (11' 3")	3,370 (11' 1")	3,190 (10' 6")
d. Bucket angle (deg)	166°	166°	166°	166°	166°



LIFTING CAPACITY

DX225LCA



STANDARD CONFIGURATION

Metric Boom : 5,700mm(18'8") Arm : 2,900mm(9'6") Bucket : SAE 0.92m³(1.2yd³) CECE 0.8m³(1.1yd³) Shoe : 600mm(2') Unit : 1,000kg

A(m)	2		3		4		5		6		7		8		Max. Reach		A(m)	
	📏	📏	📏	📏	📏	📏	📏	📏	📏	📏	📏	📏	📏	📏	📏	📏		
8																*3.42	*3.42	5.94
7																*3.31	*3.31	6.85
6									*4.53	*4.53	*4.39	3.84				*3.30	*3.30	7.51
5									*4.87	*4.87	*4.69	3.79				*3.36	2.99	7.99
4								*5.95	*5.95	*5.37	4.79	*4.99	3.72	*4.50	2.95	*3.48	2.75	8.32
3			*11.94	*11.94	*8.57	*8.57	*6.92	6.19	*5.97	4.64	*5.36	3.62	4.67	2.90	*3.65	2.59	8.52	
2			*7.08	*7.08	*10.19	8.36	*7.89	5.93	*6.58	4.49	5.71	3.53	4.61	2.84	*3.89	2.51	8.60	
1			*5.62	*5.62	*11.36	8.03	*8.69	5.73	*7.11	4.36	5.61	3.44	4.55	2.79	4.09	2.50	8.56	
O (Ground)	*3.08	*3.08	*6.66	*6.66	*11.94	7.85	*9.21	5.59	7.05	4.26	5.54	3.37	4.51	2.75	4.18	2.54	8.40	
-1	*5.53	*5.53	*8.59	*8.59	*12.03	7.77	9.40	5.51	6.98	4.19	5.49	3.33	4.48	2.73	4.39	2.67	8.11	
-2	*7.92	*7.92	*11.11	*11.11	*11.71	7.77	*9.28	5.48	6.96	4.17	5.48	3.32			4.76	2.60	7.69	
-3	*10.58	*10.58	*14.12	*12.89	*10.99	7.82	*8.81	5.51	6.98	4.19	5.51	3.35			5.41	3.29	7.09	
-4	*13.78	*13.78	*12.36	*12.36	*9.77	7.94	*7.86	5.59	*6.29	4.26					*5.86	4.00	6.28	
-5			*9.77	*9.77	*7.80	*7.80	*6.10	5.75							*5.85	5.50	5.15	

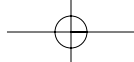
Feet

Unit : 1,000lb

A(ft)	10'		15'		20'		25'		Max. Reach		A(ft)
	📏	📏	📏	📏	📏	📏	📏	📏	📏	📏	
25					*8.41	*8.41			*7.41	*7.41	20.73
20					*9.94	*9.94			*7.28	*7.28	24.45
15					*11.10	10.46	*10.37	7.16	*7.50	6.34	26.73
10	*25.44	*25.44	*16.42	15.73	*12.94	10.00	11.16	6.95	*8.03	5.73	27.93
5	*13.83	*13.83	*20.28	14.71	*14.86	9.52	10.91	6.72	*8.91	5.51	28.20
O (Ground)	*15.25	*15.25	*22.52	14.09	15.16	9.16	10.71	6.53	9.21	5.61	27.56
-5	*22.18	*22.18	*22.80	13.87	14.97	9.00	10.63	6.46	10.05	6.12	25.95
-10	*30.58	27.61	*21.20	13.95	15.02	9.03			12.02	7.31	23.15
-15	*23.99	*23.99	*17.02	14.32					*12.97	10.35	18.64
-20					*8.41	*8.41			*7.41	*7.41	20.73

- Ratings are based on SAE J1097
- The load point is a hook located on the back of the bucket.
- * Rated loads are based on hydraulic capacity.
- Rated loads do not exceed 87% of hydraulic capacity or 75% of tipping capacity.

📏 : Rating Over Front
 📏 : Rating Over Side or 360 degree



Option 1

Metric

Boom : 5,700mm(18'8")

Arm : 2,400mm(7'7")

Bucket : SAE 1.05m³ (1.4yd³) CECE 0.9m³ (1.2yd³)

Shoe : 600mm(2')

Unit : 1,000kg

A(m)	2		3		4		5		6		7		8		Max. Reach		A(m)
7									*5.03	4.98					*4.47	*4.47	6.29
6									*5.06	4.96	*4.46	3.80			*4.44	3.79	7.00
5							*5.77	*5.77	*5.37	4.88	*5.13	3.77			*4.51	3.32	7.52
4			*10.28	*10.28	*7.83	*7.83	*6.58	6.36	*5.84	4.76	*5.37	3.70			*4.66	3.03	7.87
3					*9.51	8.64	*7.52	6.12	*6.40	4.62	*5.70	3.62	4.67	2.91	4.59	2.86	8.08
2					*10.98	8.24	*8.41	5.89	*6.95	4.48	5.71	3.54	4.62	2.86	4.47	2.77	8.17
1					*11.86	7.99	*9.07	5.72	7.17	4.37	5.63	3.46	4.58	2.82	4.47	2.75	8.12
O (Ground)			*5.72	*5.72	*12.14	7.87	*9.43	5.61	7.08	4.29	5.57	3.41			4.59	2.82	7.96
-1	*5.52	*5.52	*8.70	*8.70	*11.96	7.84	9.45	5.56	7.03	4.24	5.54	3.39			4.85	2.98	7.65
-2	*8.80	*8.80	*12.21	*12.21	*11.41	7.87	*9.16	5.56	7.03	4.24	5.56	3.40			5.33	3.27	7.20
-3	*12.33	*12.33	*13.09	*13.09	*10.45	7.95	*8.47	5.61	*6.88	4.29					*6.05	3.78	6.56
-4	*13.90	*13.90	*11.03	*11.03	*8.93	8.10	*7.19	5.72							*6.08	4.77	5.67
-5					*6.36	*6.36									*5.73	*5.73	4.38

Feet

Unit : 1,000lb

A(ft)	10'		15'		20'		25'		Max. Reach		A(ft)	
25										*10.05	*10.05	18.74
20						*11.11	10.66			*9.78	8.49	22.79
15				*14.13	*14.13	*12.15	10.38	*10.73	7.13	*10.06	7.02	25.22
10	*21.27	*21.27		*17.99	15.51	*13.87	9.95	11.16	6.96	10.15	6.31	26.49
5				*21.44	14.60	15.55	9.52	10.95	6.76	9.83	6.06	26.78
O (Ground)	*13.18	*13.18	*23.02	14.13	15.22	9.23	10.80	6.62	10.11	6.21	26.10	
-5	*23.57	*23.57	*22.63	14.03	15.11	9.13			11.18	6.85	24.39	
-10	*28.35	28.06	*20.29	14.20	*14.76	9.24			*13.35	8.41	21.39	
-15	*20.56	*20.56	*14.76	14.69					*13.15	12.87	16.39	

Option 2

Metric

Boom : 5,700mm(18'8")

Arm : 3,500mm(11'6")

Bucket : SAE 0.81m³ (1.1yd³) CECE 0.7m³ (0.9yd³)

Shoe : 600mm(2')

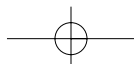
Unit : 1,000kg

A(m)	2		3		4		5		6		7		8		9		Max. Reach		A(m)
8																	*2.97	*2.97	6.61
7											*3.54	*3.54					*2.89	*2.89	7.43
6											*4.04	3.92	*2.98	*2.98			*2.89	*2.89	8.04
5											*4.24	3.86	*3.87	3.05			*2.94	2.72	8.49
4									*4.83	*4.83	*4.57	3.77	*4.39	2.99			*3.03	2.51	8.81
3			*9.80	*9.80	*7.45	*7.45	*6.21	*6.21	*5.46	4.71	*4.97	3.67	*4.64	2.93			*3.18	2.38	9.00
2			*13.13	*13.13	*9.20	8.53	*7.26	6.02	*6.13	4.54	*5.41	3.56	4.63	2.86	*3.62	2.33	*3.38	2.30	9.07
1			*8.04	*8.04	*10.63	8.12	*8.19	5.77	*6.74	4.38	5.63	3.45	4.55	2.79	3.77	2.29	*3.65	2.28	9.03
O (Ground)	*3.76	*3.76	*7.64	*7.64	*11.54	7.85	*8.87	5.59	7.05	4.25	5.53	3.36	4.49	2.73			3.82	2.31	8.88
-1	*5.45	*5.45	*8.73	*8.73	*11.93	7.71	*9.25	5.47	6.95	4.16	5.46	3.30	4.45	2.69			3.98	2.41	8.61
-2	*7.33	*7.33	*10.55	*10.55	*11.87	7.66	9.30	5.41	6.90	4.12	5.43	3.27	4.44	2.68			4.27	2.58	8.21
-3	*9.47	*9.47	*13.01	12.64	*11.41	7.68	*9.06	5.41	6.90	4.11	5.43	3.28					4.75	2.88	7.66
-4	*12.02	*12.02	*13.59	12.79	*10.51	7.76	*8.40	5.46	*6.83	4.15							5.59	3.39	6.91
-5	*15.24	*15.24	*11.49	*11.49	*9.01	7.91	*7.19	5.57									*5.77	4.36	5.91
-6			*8.30	*8.30	*6.51	*6.51											*5.75	*5.75	4.46

Feet

Unit : 1,000lb

A(ft)	10'		15'		20'		25'		Max. Reach		A(ft)	
25										*6.45	*6.45	22.80
20										*6.36	*6.36	26.22
15						*9.93	*9.93	*7.80	7.43	*6.55	5.78	28.35
10				*14.55	*14.55	*11.86	10.14	*10.48	7.02	*6.99	5.25	29.49
5	*23.19	*23.19	*18.77	14.90	*13.97	9.59	10.94	6.74	*7.71	5.03	29.75	
O (Ground)	*17.48	*17.48	*21.70	14.10	15.16	9.15	10.68	6.50	8.42	5.09	29.14	
-5	*21.68	*21.68	*22.73	13.73	14.88	8.90	10.54	6.37	9.07	5.48	27.62	
-10	*29.55	27.07	*21.90	13.70	14.83	8.86	10.56	6.39	10.55	6.38	25.02	
-15	*27.18	*27.18	*18.87	13.96	*13.48	9.06			*12.58	8.49	20.92	
-20									*12.60	*12.60	14.05	



LIFTING CAPACITY

DX225LCA

Option 3

Metric

Boom : 5,200mm(17'1")

Arm : 2,000mm(6'7")

Bucket : SAE 1.28m³ (1.7yd³) CECE 1.1m³ (1.4yd³)

Shoe : 600mm(2')

Unit : 1,000kg

A(m)	2		3		4		5		6		7		Max. Reach		A(m)	
7																
6								*5.82	*5.82					*5.89	*5.89	4.99
5								*6.21	*6.21	*5.89	4.82			*5.83	4.23	6.48
4			*10.34	*10.34	*8.08	*8.08	*6.92	6.35	*6.25	4.73				*5.91	3.77	6.88
3					*9.68	8.71	*7.79	6.14	*6.73	4.62	5.79	3.61		5.62	3.50	7.12
2					*11.12	8.35	*8.63	5.94	*7.23	4.51	5.72	3.55		5.45	3.38	7.22
1					*12.00	8.12	*9.26	5.79	7.22	4.41	5.66	3.49		5.45	3.37	7.17
O (Ground)			*9.19	*9.19	*12.26	8.01	*9.57	5.70	7.15	4.35				5.65	3.48	6.98
-1	*8.39	*8.39	*13.56	13.10	*12.00	7.99	*9.50	5.66	7.12	4.33				6.10	3.74	6.63
-2	*13.15	*13.15	*14.30	13.21	*11.25	8.04	*8.99	5.69	7.15	4.35				6.98	4.25	6.10
-3	*15.73	*15.73	*12.39	*12.39	*9.88	8.16	*7.83	5.78						*7.19	5.27	5.33
-4			*9.39	*9.39	*7.41	*7.41								*7.06	*7.06	4.17

Feet

Unit : 1,000lb

A(ft)	10'		15'		20'		Max. Reach		A(ft)		
20									*12.80	11.35	19.03
15				*14.93	*14.93		*13.21	10.28	*12.92	8.82	21.89
10				*18.52	15.60		*14.62	9.95	12.43	7.75	23.35
5				*21.85	14.79		15.63	9.59	11.96	7.40	23.67
O (Ground)	*21.17	*21.17	*23.31	14.37			15.37	9.36	12.46	7.66	22.90
-5	*32.59	28.15	*22.52	14.32			15.34	9.34	14.31	8.75	20.93
-10	*26.76	*26.76	*18.94	14.59					*15.86	11.77	17.32
-15	*22.52	*22.52							*15.76		13.68
-20	*26.50	*26.50	*19.23	*19.23							

Option 4

Metric

Boom : 5,200mm(17'1")

Arm : 2,400mm(7'10")

Bucket : SAE 1.28m³ (1.7yd³) CECE 1.1m³ (1.4yd³)

Shoe : 600mm(2')

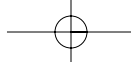
Unit : 1,000kg

A(m)	2		3		4		5		6		7		Max. Reach		A(m)	
7														*4.38	*4.38	5.56
6										*5.31	4.93			*4.31	*4.31	6.36
5								*5.72	*5.72	*5.49	4.88			*4.37	3.82	6.92
4					*7.37	*7.37	*6.46	6.44	*5.90	4.79	*5.57	3.71		*4.53	3.44	7.30
3			*12.40	*12.40	*9.02	8.89	*7.38	6.23	*6.43	4.67	5.83	3.64		*4.78	3.22	7.53
2			*9.97	*9.97	*10.61	8.51	*8.31	6.03	*6.99	4.55	5.75	3.58		5.01	3.11	7.62
1			*7.93	*7.93	*11.73	8.24	*9.06	5.86	7.26	4.45	5.68	3.51		5.02	3.10	7.58
O (Ground)	*4.31	*4.31	*9.47	*9.47	*12.25	8.09	*9.50	5.74	7.17	4.37	5.63	3.47		5.17	3.19	7.40
-1	*7.70	*7.70	*12.35	*12.35	*12.22	8.03	*9.59	5.69	7.13	4.33	5.62	3.45		5.53	3.40	7.07
-2	*11.15	*11.15	*15.20	13.21	*11.69	8.05	*9.27	5.69	7.13	4.34				6.20	3.80	6.57
-3	*15.22	*15.22	*13.54	13.36	*10.59	8.13	*8.42	5.74						*6.83	4.55	5.86
-4	*14.19	*14.19	*10.97	*10.97	*8.64	8.29								*6.90	6.16	4.84

Feet

Unit : 1,000lb

A(ft)	10'		15'		20'		Max. Reach		A(ft)				
20									*10.85	10.57	*9.51	*9.51	20.66
15				*13.70	*13.70		*12.39	10.41	*9.75	8.01	23.31		
10	*26.46	*26.46	*17.42	15.85	*13.98	10.06	*10.50	7.12	24.69				
5	*19.51	*19.51	*21.15	15.00	*15.72	9.68	11.02	6.83	24.99				
O (Ground)	*21.71	*21.71	*23.19	14.50	15.42	9.41	11.41	7.04	24.27				
-5	*32.31	28.18	*23.02	14.36	15.32	9.32	12.86	7.90	22.42				
-10	*29.26	28.61	*20.32	14.52			*15.06	10.13	19.10				
-15	*19.26	*19.26					*14.84	*14.84	13.24				
-20	*26.50	*26.50	*19.23	*19.23									



Option 5

Metric Boom : 5,700mm(18'8") Arm : 2,900mm(9'6") Bucket : SAE 0.93m³(1.2yd³) CECE 0.8m³(1.0yd³) Shoe : 800mm(2'8") Unit : 1,000kg

A(m)	2		3		4		5		6		7		8		9		Max. Reach			
																			A(m)	
8																		*3.42	*3.42	5.94
7																		*3.31	*3.31	6.85
6									*4.53	*4.53	*4.39	3.94					*4.53	*3.30	*3.30	7.51
5									*4.87	*4.87	*4.69	3.89					*4.87	*3.36	3.08	7.99
4								*5.95	*5.95	*5.37	4.92	*4.99	3.82	*4.50	30.4		*5.37	*3.48	2.83	8.32
3			*11.94	*11.94	*8.57	*8.57			*6.92	6.34	*5.97	4.76	*5.36	3.72	4.81	2.98	*5.97	*3.65	2.67	8.52
2			*7.08	*7.08	*10.19	8.57	*7.89	6.09	*6.58	4.61	*5.75	3.63	4.75	2.93			*6.58	*3.89	2.59	8.60
1			*5.62	*5.62	*11.36	8.24	*8.69	5.88	*7.11	4.48	5.78	3.54	4.69	2.87			*7.11	4.22	2.58	8.56
O (Ground)	*3.08	*3.08	*6.66	*6.66	*11.94	8.06	*9.21	5.74	7.26	4.38	5.70	3.47	4.64	2.83			7.26	4.31	2.63	8.40
-1	*5.53	*5.53	*8.59	*8.59	*12.03	7.98	*9.41	5.66	7.19	4.32	5.66	3.43	4.62	2.81			7.19	4.53	2.75	8.11
-2	*7.92	*7.92	*11.11	*11.11	*11.71	7.98	*9.28	5.64	7.16	4.29	5.65	3.42					7.16	4.91	2.99	7.69
-3	*10.58	*10.58	*14.12	13.22	*10.99	8.04	*8.81	5.66	7.19	4.31	5.68	3.45					7.19	5.57	3.39	7.09
-4	*13.78	*13.78	*12.36	*12.36	*9.77	8.15	*7.86	5.74	*6.29	4.39							*6.29	*5.86	4.11	6.28
-5			*9.77	*9.77	*7.80	*7.80	*6.10	5.90										*5.85	5.65	5.15

Feet

Unit : 1,000lb

A(ft)	10'		15'		20'		25'		Max. Reach			A(ft)	
25							*8.41	*8.41			*7.41	*7.41	20.73
20							*9.94	*9.94			*7.28	*7.28	24.45
15							*11.10	10.72	*10.37	7.36	*7.50	6.52	26.73
10	*25.44	*25.44	*16.42	16.11	*12.94	10.26	*11.19	7.15	*8.03	5.91	5.91	27.93	
5	*13.83	*13.83	*20.28	15.10	*14.86	9.78	11.23	6.91	*8.91	5.68	5.68	28.20	
O (Ground)	*15.25	*15.25	*22.52	14.47	15.61	9.43	11.03	6.73	9.50	5.79	5.79	27.56	
-5	*22.18	*22.18	*22.80	14.26	15.42	9.26	10.95	6.66	10.37	6.31	6.31	25.95	
-10	*30.58	28.32	*21.20	14.34	15.46	9.29			12.38	7.53	7.53	23.15	
-15	*23.99	*23.99	*17.02	14.70					*12.97	10.63	10.63	18.64	

Option 6

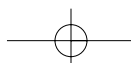
Metric Boom : 5,700mm(18'8") Arm : 2,400mm(7'11") Bucket : SAE 1.05m³(1.4yd³) CECE 0.9m³(1.2yd³) Shoe : 800mm(2'8") Unit : 1,000kg

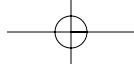
A(m)	2		3		4		5		6		7		8		Max. Reach				
																	A(m)		
7									*5.03	*5.03							*4.47	*4.47	6.29
6									*5.06	*5.06	*4.46	3.90					*4.44	3.89	7.00
5							*5.77	*5.77	*5.37	5.00	*5.13	3.87					*4.51	3.42	7.52
4			*10.28	*10.28	*7.83	*7.83	*6.58	6.51	*5.84	4.88	*5.37	3.80					*4.66	3.12	7.87
3					*9.51	8.85	*7.52	6.27	*6.40	4.74	*5.70	3.72	4.81	2.99			4.73	2.94	8.08
2					*10.98	8.45	*8.41	6.04	*6.95	4.60	5.88	3.64	4.76	2.95			4.61	2.85	8.17
1					*11.86	8.20	*9.07	5.87	7.37	4.49	5.80	3.56	4.72	2.90			4.61	2.84	8.12
O (Ground)			*5.72	*5.72	*12.14	8.08	*9.43	5.76	7.28	4.41	5.74	3.51					4.73	2.90	7.96
-1	*5.52	*5.52	*8.70	*8.70	*11.96	8.05	*9.46	5.71	7.24	4.36	5.71	3.49					5.00	3.07	7.65
-2	*8.80	*8.80	*12.21	*12.21	*11.41	8.08	*9.16	5.71	7.24	4.36	5.72	3.50					5.49	3.36	7.20
-3	*12.33	*12.33	*13.09	*13.09	*10.45	8.16	*8.47	5.77	*6.88	4.41							*6.05	3.89	6.56
-4	*13.90	*13.90	*11.03	*11.03	*8.93	8.31	*7.19	5.88									*6.08	4.90	5.67
-5					*6.36	*6.36											*5.73	*5.73	4.38

Feet

Unit : 1,000lb

A(ft)	10'		15'		20'		25'		Max. Reach			A(ft)	
25											*10.05	*10.05	18.74
20							*11.11	10.92			*9.78	8.72	22.79
15			*14.13	*14.13	*12.15	10.64	*10.73	7.33	*10.06	7.21	7.21	25.22	
10	*21.27	*21.27	*17.99	15.89	*13.87	10.21	11.49	7.16	10.45	6.50	6.50	26.49	
5			*21.44	14.98	*15.59	9.78	11.27	6.96	10.13	6.25	6.25	26.78	
O (Ground)	*13.18	*13.18	*23.02	14.51	15.66	9.49	11.12	6.82	10.42	6.40	6.40	26.10	
-5	*23.57	*23.57	*22.63	14.41	15.55	9.39			11.52	7.06	7.06	24.39	
-10	*28.35	*28.35	*20.29	14.58	*14.76	9.51			*13.35	8.65	8.65	21.39	
-15	*20.56	*20.56	*14.76	*14.76					*13.15	*13.15	*13.15	16.39	





Option 7

Metric

Boom : 5,700mm(18'8")

Arm : 3,500mm(11'6")

Bucket : SAE 1.05m³ (1.4yd³) CECE 0.9m³ (1.2yd³)

Shoe : 800mm(2'8")

Unit : 1,000kg

A(m)	2		3		4		5		6		7		8		9		Max. Reach		A(m)	
8																		*2.97	*2.97	6.61
7												*3.54	*3.54					*2.89	*2.89	7.43
6												*4.04	4.02	*2.98	*2.98			*2.89	*2.89	8.04
5												*4.24	3.96	*3.87	3.13			*2.94	2.80	8.49
4										*4.83	*4.83	*4.57	3.87	*4.39	3.08			*3.03	2.59	8.81
3			*9.80	*9.80	*7.45	*7.45	*6.21	*6.21	*5.46	4.83	*4.97	3.77	*4.64	3.01			*3.18	2.45	9.00	
2			*13.13	*13.13	*9.20	8.74	*7.26	6.17	*6.13	4.66	*5.41	3.66	4.77	2.94	*3.62	2.41	*3.38	2.37	9.07	
1			*8.04	*8.04	*10.63	8.33	*8.19	5.93	*6.74	4.50	5.79	3.55	4.69	2.87	*3.78	2.37	*3.65	2.35	9.03	
O (Ground)	*3.76	*3.76	*7.64	*7.64	*11.54	8.06	*8.87	5.74	*7.23	4.37	5.70	3.46	4.63	2.82			3.94	2.39	8.88	
-1	*5.45	*5.45	*8.73	*8.73	*11.93	7.92	*9.25	5.62	7.16	4.28	5.63	3.40	4.59	2.78			4.11	2.48	8.61	
-2	*7.33	*7.33	*10.55	*10.55	*11.87	7.87	*9.32	5.57	7.11	4.24	5.60	3.37	4.58	2.77			4.40	2.66	8.21	
-3	*9.47	*9.47	*13.01	12.97	*11.41	7.89	*9.06	5.57	7.10	4.23	5.60	3.38					4.90	2.97	7.66	
-4	*12.02	*12.02	*13.59	13.12	*10.51	7.97	*8.40	5.62	*6.83	4.28							*5.60	3.49	6.91	
-5	*15.24	*15.24	*11.49	*11.49	*9.01	8.12	*7.19	5.73									*5.77	4.48	5.91	
-6			*8.30	*8.30	*6.51	*6.51											*5.75	*5.75	4.46	

Feet

Unit : 1,000lb

A(ft)	10'		15'		20'		25'		Max. Reach		A(ft)		
25										*6.45	*6.45	22.80	
20								*7.80	7.63	*6.36	6.36	26.22	
15							*9.93	*9.93	*9.48	7.48	*6.55	5.95	28.35
10				*14.55	*14.55	*11.86	10.40	*10.43	7.22	*6.99	5.41	29.49	
5	*23.19	*23.19	*18.77	15.29	*13.97	9.85	11.27	6.94	*7.71	5.20	29.75		
O (Ground)	*17.48	*17.48	*21.70	14.48	15.60	9.41	11.01	6.70	8.69	5.26	29.14		
-5	*21.68	*21.68	*22.73	14.11	15.32	9.16	10.86	6.57	9.36	5.66	27.62		
-10	*29.55	27.78	*21.90	14.08	15.27	9.12	10.89	6.59	10.88	6.58	25.02		
-15	*27.18	*27.18	*18.87	14.34	*13.48	9.32			*12.58	8.74	20.92		
-20									*12.60	*12.60	14.05		

