



# DX340LCA

Engine Power : SAE J1349, net 185kW(247HP)@1,800rpm

Operational Weight : 34,400kg(75,839 lb) - STD.

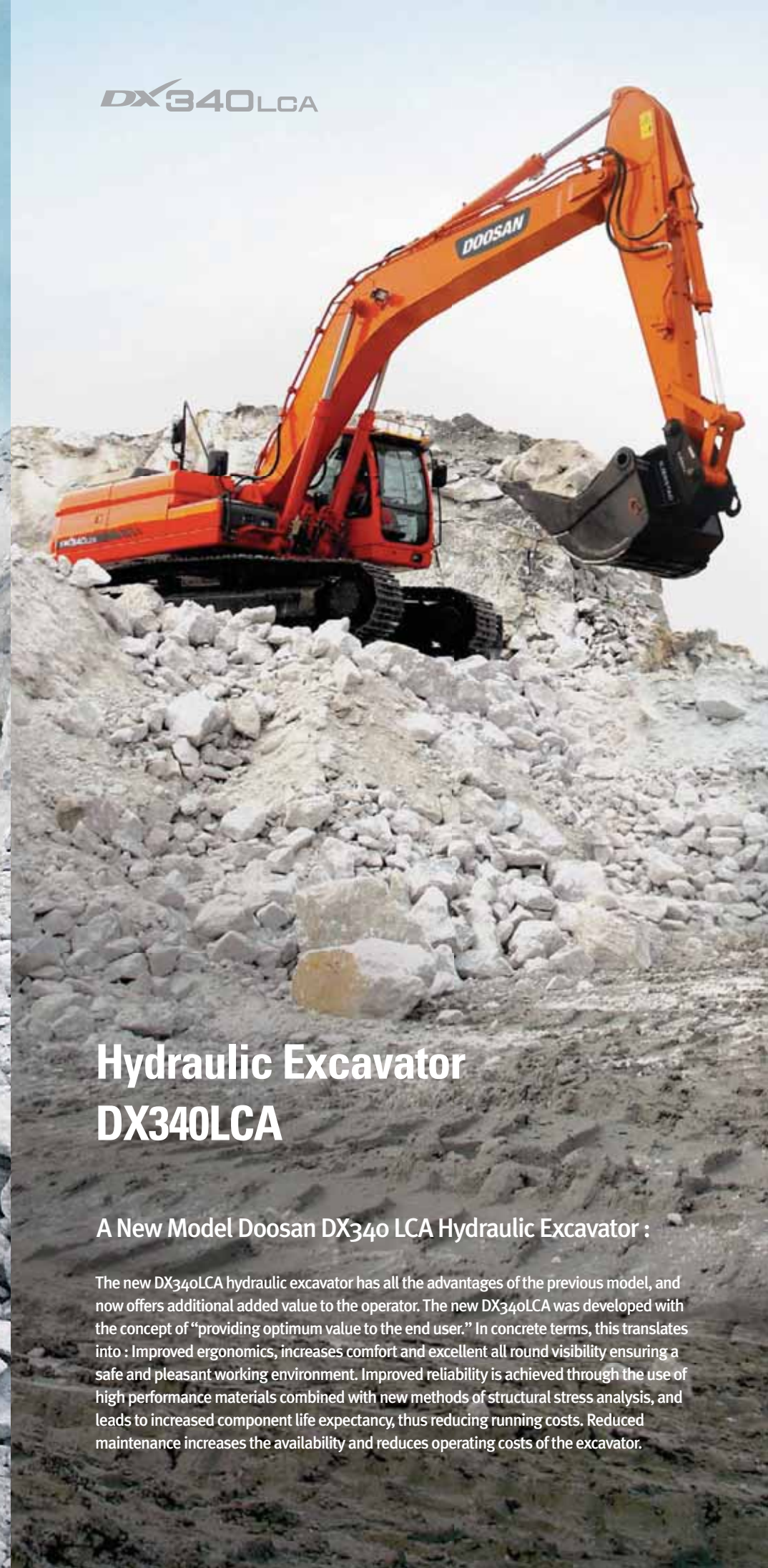
Bucket capacity(SAE) : 1.25 ~ 2.35m<sup>3</sup>







DX340LCA



## Hydraulic Excavator DX340LCA

A New Model Doosan DX340 LCA Hydraulic Excavator :

The new DX340LCA hydraulic excavator has all the advantages of the previous model, and now offers additional added value to the operator. The new DX340LCA was developed with the concept of "providing optimum value to the end user." In concrete terms, this translates into : Improved ergonomics, increases comfort and excellent all round visibility ensuring a safe and pleasant working environment. Improved reliability is achieved through the use of high performance materials combined with new methods of structural stress analysis, and leads to increased component life expectancy, thus reducing running costs. Reduced maintenance increases the availability and reduces operating costs of the excavator.





# Performance



DX340LCA is designed for tough and heavy work environments where need massive force. The performance of the DX340LCA has a direct effect on its productivity.



## DOOSAN DX340LCA ENGINE

Maker & Model	DOOSAN DE12TIS
Performance Standard	DIN 6271, SAE J1349
Power (Max, Rated)	195 kW (265 PS) @ 1800 rpm (DIN 6271) 185 kW (247 HP) @ 1800 rpm (SAE J1349)
Max. Torque	114 kg.m/ 1400 rpm
Fuel Consumption (Max, Rated)	155 g/ps.h @ RATED SPEED (TIER-II)

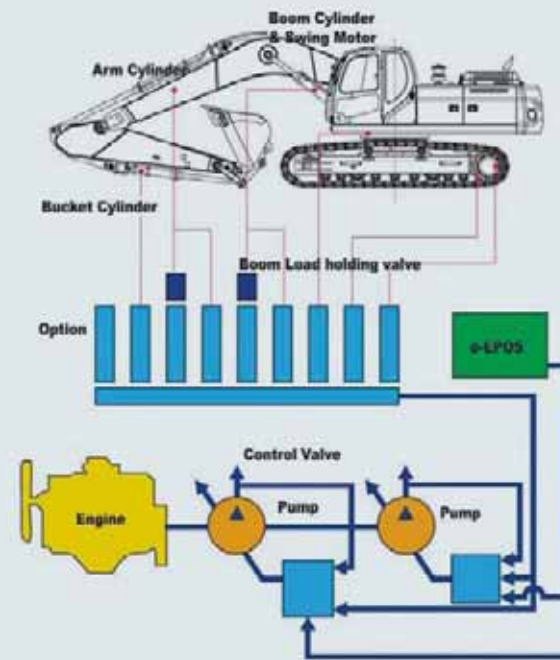


### Hydraulic Pump

The Main pump has a capacity of 2x247ℓ/min reducing cycle time while a high capacity gear pump improves pilot line efficiency.

### Swing Drive

Shocks during rotation are minimized, while increased torque is available to ensure rapid cycles.

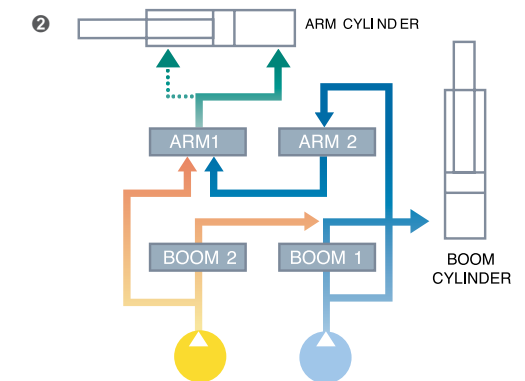
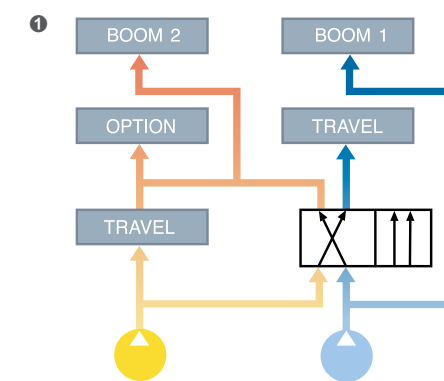


### Excavator control New e-EPOS system (Electronic Power Optimizing System)

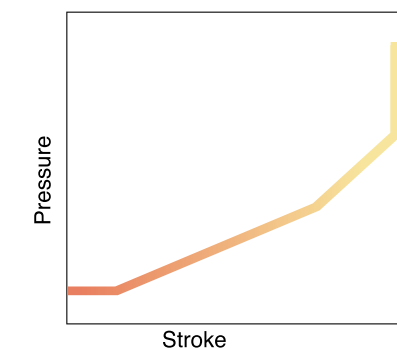
The brains of the hydraulic excavator, the e-EPOS, have been improved, through a CAN(Controller Area Network) communication link, enabling a continuous exchange of information between the engine and the hydraulic system.

These units are now perfectly synchronised. The advantages of the new e-EPOS impacts at several levels, Ease of operation and user-friendliness:

- The availability of a power mode and standard mode guarantee maximum efficiency under all conditions.
- The automatic deceleration mode enables fuel saving.
- Regulation and precise control of the flow rate required by the equipment are available as standard.
- A self-diagnosis function enables technical problems to be resolved quickly and efficiently.
- An operational memory provides a graphic display of the status of the machine.
- Maintenance and oil change intervals can be displayed.



### 2-Stage



- 1 Advanced hydraulic circuit separates the oil flow for travel and boom function to allow precise and safe operation when handling loads during travel.
- 2 The circuits for the boom, arm, and bucket have been improved to assure smooth and confident control during combination.
- 3 New technologically advanced control valve and joystick valves have been installed to allow speedy, smooth and responsive control.



# Comfort

DX340LCA



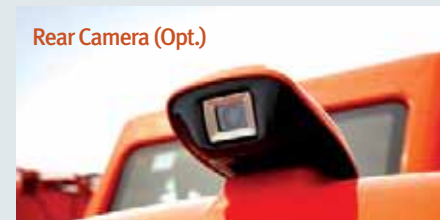
The work rate of the hydraulic excavator is directly linked to the performance of its operator. DOOSAN designed the DX 340 LCA by putting the operator at the center of the development goals. The result is significant ergonomic value that improves the efficiency and safety of the operator.



More space, better visibility, air conditioning, a very comfortable seat. These are all elements that ensure the operator can work for hours and hours in excellent conditions.



The high performance air conditioning provides an air flow which is adjusted and electronically controlled for the conditions. Five operating modes enable even the most demanding operator to be satisfied.



Rear Camera (Opt.)



1. Cellular phone box
2. 12V Power socket
3. Cigarette lighter
4. Glass antenna



### Control lever

Very precise control of the equipment increases versatility, safety and facilitates tricky operations requiring great precision. Leveling operations and particularly the movement of suspended loads are made easier and safer. The control levers have additional electrical buttons for controlling other additional equipment (for example, grabs, crushers, grippers, etc.)



### Choice of operating modes

- Power mode
- Standard : uses 88% engine power for all work
  - Power : uses 100% engine power for heavy work
  - Economy : 76% engine power

### Control panel

With color LCD display



Standard screen    Theft prevention function    Filter/oil information    Operation history    Flow rate control    Contrast control

### Air suspension seat (Opt.)

Equipped with various functions of adjustment forth and back and, and lumbar support, it reduces the vibration of equipment transmitted during work in an effective way. Also for considering winter working environment, Seat warmer functions equipped.



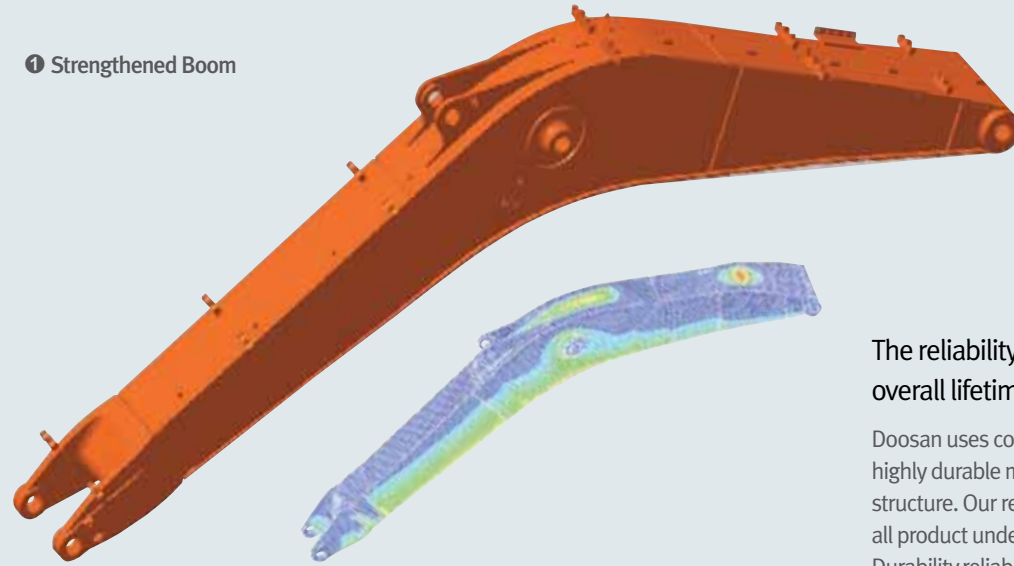
Comfortable 2-stage sliding seat

Control stand (Telescopic Function)



# Reliability & Maintenance

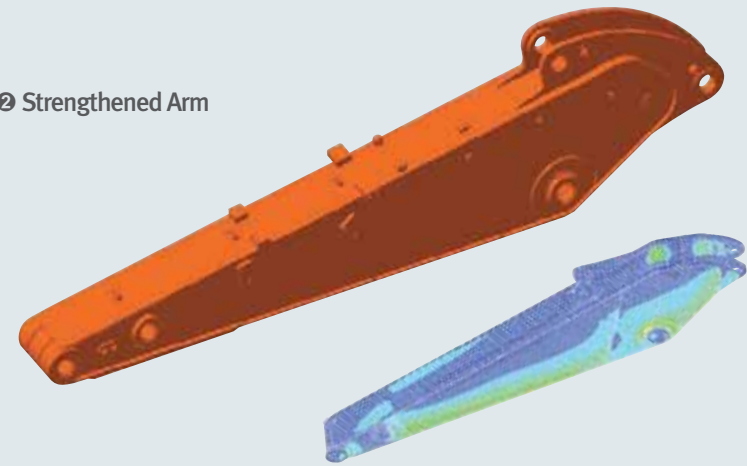
## ① Strengthened Boom



The reliability of a product contributes to its overall lifetime operating costs.

Doosan uses computer-assisted design techniques, highly durable materials and a quality engineered structure. Our research and development engineers test all product under the most extreme conditions. Durability, reliability and product longevity are Doosan's top priorities.

## ② Strengthened Arm



### ① Strengthened Boom

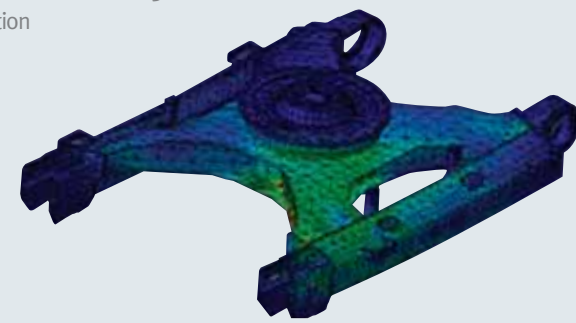
The shape of the boom has been optimized by finite elements design, allowing uniform load distribution throughout the structure. This combined with increased material thickness means improved durability and reliability by limiting element fatigue.

### ② Strengthened Arm

In the arm assembly greater strength has been gained by using cast elements and reinforcement around the bosses to give it an increased lifetime.

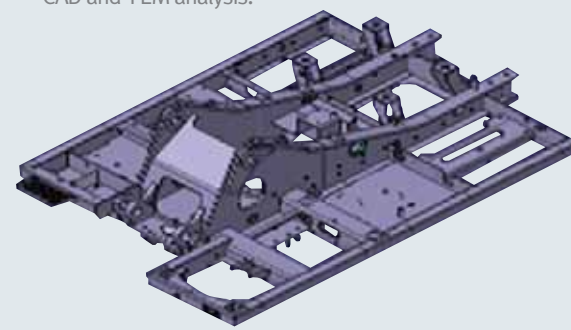
## Advanced Track Frame

The X-chassis frame section has been designed using finite element and 3-dimensional computer simulation



## Advanced Main Frame

Designed using advanced technology 3D CAD and FEM analysis.



**Bucket** Highly wear-resistant materials are used for the most susceptible elements such as the blades, teeth, rear and lateral reinforcement plates and corners of the bucket.



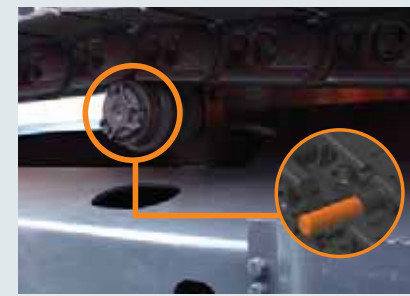
### Bushing

A highly lubricated metal is used for the boom pivot in order to increase the lifetime and extend the greasing intervals to 250 hours.



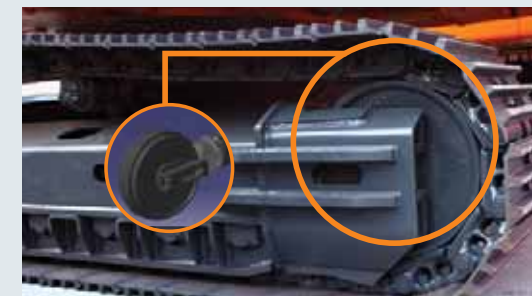
### Ultra-hard wear-resistant disc

New have been used in order to increase the wear resistance and to increase the service intervals.



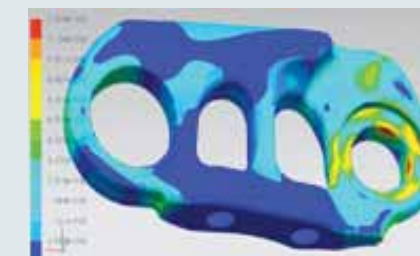
### Tracks

The chain is composed of self-lubricating sealed links isolated from all external contamination. The tracks are locked by mechanically bolted pins.



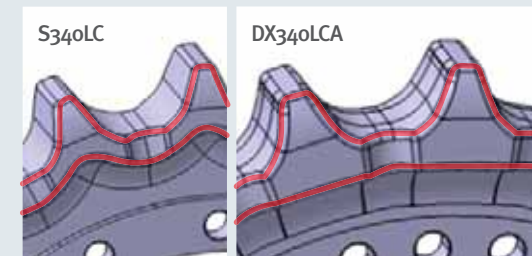
### Integrated Track Spring and Idler

The track spring and the idler have been joined directly to achieve high durability and improved maintenance convenience.

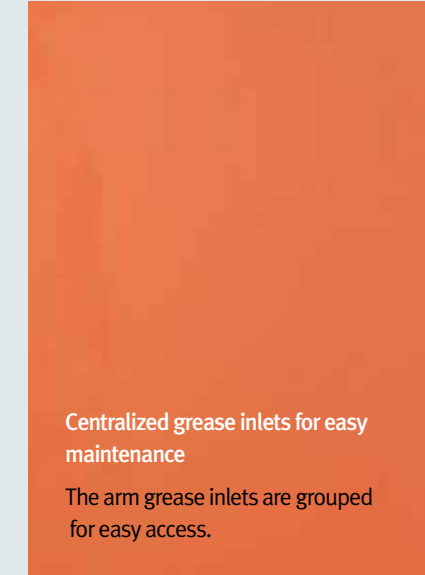


### Track Link

Reinforce thickness on Stressed region.



· Change Tooth design → Prevent Popping  
· Increase Thickness of Tooth → Increase more Thickness and Durability of Tooth



Centralized grease inlets for easy maintenance  
The arm grease inlets are grouped for easy access.



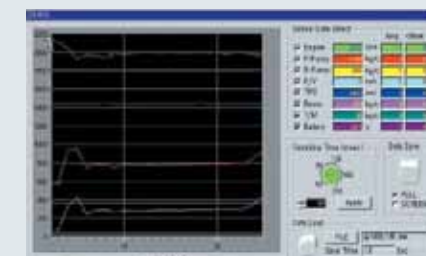
### Improve the pilot hose material

· Resins → Rubber  
· Decrease curve angle of hose



### Apply CORG type

· Captive O-Ring Groove  
· Narrow groove hold O-ring in more effective way.  
· This will prevent leaking by O-Ring damage.



### PC Monitoring (DMS)

A PC monitoring function enables connection to the e-EPOS system, allowing various parameters to be checked during maintenance.



### Convenient Fuse Box

The fuse box is conveniently located in a section of the storage compartment behind the operator's seat providing a clean environment and easy access.



# Technical Specification

DOOSAN has developed the DX 340 LCA profitability with end-user in mind. Easy maintenance operations at long intervals increase the availability of the equipment on site.



### Easy maintenance

Access to the various radiators and coolers is very easy, making cleaning easier. Access to the various parts of the engine is from the top and via side panels.



### Fuel pre-filter

High efficiency fuel filtration is attained by the use of multiple filters, including a fuel pre-filter fitted with a water separator that removes most moisture from the fuel.



### Hydraulic oil return filter

The protection of the hydraulic system is more effective, using glass fiber filter technology in the main oil return filter.



### Air cleaner

The large capacity forced air cleaner removes over 99% of airborne particles, reducing the risk of engine contamination and making the cleaning and cartridge change intervals greater.

## Engine

<b>MODEL</b>	Doosan DE12TIS
<b>TYPE</b>	4-Cycle ATA Intercooler in-Line
<b>NUMBER OF CYLINDERS</b>	6
<b>RATED HORSE POWER</b>	195 kW (265 PS) @ 1,800 rpm (DIN 6271) 185 kW (247 HP) @ 1,800 rpm (SAE J1349)
<b>MAX TORQUE</b>	114 kgf.m @ 1,400 rpm
<b>PISTON DISPLACEMENT</b>	11,051cc
<b>BORE &amp; STROKE</b>	∅123mm x 155 mm
<b>STARTING MOTOR</b>	24 V x 6.0 kW
<b>BATTERIES</b>	12 V x 2/150 AH
<b>AIR CLEANER</b>	Double element

## Hydraulic Cylinders

The piston rods and cylinder bodies are made of high-strength steel. A shock absorbing mechanism is fitted in all cylinders to ensure shock-free operation and extend piston life.

Cylinders	Quantity	Bore x Rod diameter x stroke
Boom	2	150 X 100 X 1,430mm
Arm	1	170 X 120 X 1,805mm
Bucket	1	150 X 100 X 1,300mm

## Weight

### TRIPLE GROUSER

	Shoe width	Ground pressure	Machine Weight
	(STD)600G mm	0.66 kgf/cm <sup>2</sup>	34.4 ton
	(OPT)700G mm	0.56 kgf/cm <sup>2</sup>	34.5 ton
	(OPT)800G mm	0.50 kgf/cm <sup>2</sup>	34.8 ton
	(OPT)850G mm	0.47 kgf/cm <sup>2</sup>	35.0 ton
	(OPT)900G mm	0.45 kgf/cm <sup>2</sup>	35.2 ton
	(OPT)600DG mm	0.67 kgf/cm <sup>2</sup>	34.9 ton

## Hydraulic System

The heart of the system is the e-EPOS (Electronic Power Optimizing System). It allows the efficiency of the system to be optimized for all working conditions and minimizes fuel consumption. The new e-EPOS is connected to the engine electronic control via a data transfer link to harmonize the operation of the engine and hydraulics.

- The hydraulic system enables independent or combined operations.
- Two travel speeds offer either increased torque or high speed tracking.
- Cross-sensing pump system for fuel savings.
- Auto deceleration system.
- Two operating modes, two power modes.
- Button control of flow in auxiliary equipment circuits.
- Computer-aided pump power control.

### MAIN PUMPS

Parallel, Bentaxis, Piston  
max flow : 2x274 ℓ/min  
Displacement : 157 cc/rev  
weight : 180kg

### PILOT PUMP

Gear pump - max flow : 22.5 ℓ/min  
Pilot pump : 11.86 cc/rev  
Relief valve pressure : 40 kgf/cm<sup>2</sup>

### MAIN RELIEF PRESSURE

Boom/Arm/Bucket  
Working, Travel - 330 [+10-0] kg/cm<sup>2</sup>  
Pressure up - 350 [+10-0] kg/cm<sup>2</sup>

## Swing Mechanism

High-torque, axial piston motor with planetary reduction gear bathed in oil. Swing circle is singlerow, shear type ball bearing with induction-hardened internal gear. Internal gear and pinion gear immersed in lubricant.

**SWING SPEED** - 0 to 8.9 rpm  
**MAX. SWING TORQUE** - 11660 kgf.m (EFF.=0.863)

## Undercarriage

Chassis are of very robust construction, all welded structures are designed to limit stresses. High-quality material used for durability. Lateral chassis welded and rigidly attached to the undercarriage. Track rollers lubricated for life, idlers and sprockets fitted with floating seals. Tracks shoes made of induction-hardened alloy with triple grousers. Heat-treated connecting pins. Hydraulic track adjuster with shock-absorbing tension mechanism.

Upper rollers(Standard shoe) - 2  
Lower rollers - 9  
Track shoes - 48  
Overall track length - 4,940mm

## Drive

Each track is driven by an independent, high-torque, axial piston motor through planetary reduction gear. Two levers or foot pedal control provide smooth travel or counter-rotation upon demand.

**TRAVEL SPEED (HIGH/LOW)** - 3.1/4.7 km/h (EFF.=99.0/95.2%)  
**MAXIMUM TRACTION FORCE** - 27.0 / 15.1 ton (EFF.=75.7/68.8%)  
**GRADEABILITY** - 70%

## Refill Capacities

**FUEL TANK** - 550 ℓ  
**COOLING SYSTEM (RADIATOR CAPACITY)** - 34 ℓ  
**ENGINE OIL** - 28 ℓ  
**SWING DRIVE (=SWING DEVICE = SWING MOTOR + SWING REDUCTION GEAR)** - 6 ℓ  
**FINAL DRIVE (=TRAVEL DEVICE = TRAVEL MOTOR + TRAVEL REDUCTION GEAR)** - 2x5.5 ℓ  
**HYDRAULIC TANK (FULL)** - 380 ℓ

## Bucket

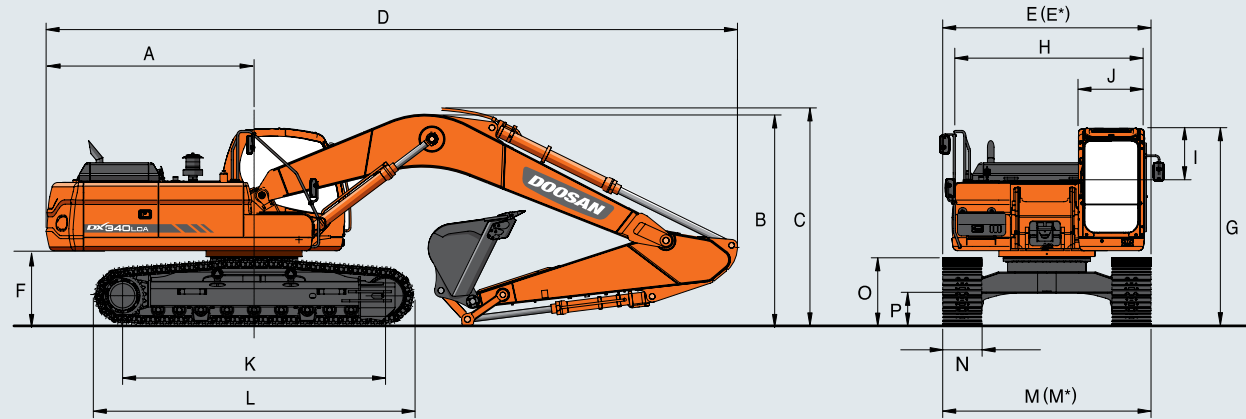
Bucket	Capacity		Width		Weight	Boom (6,500mm)		Boom (6,200mm)
	SAE heaped	CECE heaped	W/Cutter	W/O Cutter		Arm (2,600mm)	Arm (3,200mm)	Arm (2,600mm)
G.P	1.25m <sup>3</sup>	1.10m <sup>3</sup>	1228mm	1278mm	1,249kg	A	A	A
	1.49m <sup>3</sup>	1.30m <sup>3</sup>	1410mm	1460mm	1,344kg	A	A	A
	1.61m <sup>3</sup>	1.41m <sup>3</sup>	1500mm	1550mm	1,392kg	A	A	A
H.D	1.83m <sup>3</sup>	1.60m <sup>3</sup>	1668mm	1718mm	1,522kg	A	B	A
	1.20m <sup>3</sup>	1.09m <sup>3</sup>	1068mm	1134mm	1,290kg	A	A	A
	1.42m <sup>3</sup>	1.29m <sup>3</sup>	1220mm	1286mm	1,414kg	A	A	A
	1.65m <sup>3</sup>	1.48m <sup>3</sup>	1372mm	1438mm	1,512kg	A	B	A
	1.79m <sup>3</sup>	1.60m <sup>3</sup>	1460mm	1526mm	1,596kg	A	B	A
	2.01m <sup>3</sup>	1.80m <sup>3</sup>	1610mm	1676mm	1,692kg	B	C	B
	2.35m <sup>3</sup>	2.35m <sup>3</sup>	1800mm	1760mm	1,870kg	D	D	C

Based on ISO 10567 and SAE J296, arm length without quick change clamp  
A. Suitable for materials with density of 2,100 kg/m<sup>3</sup> (3,500 lb/yd<sup>3</sup>) or less  
B. Suitable for materials with density of 1,800 kg/m<sup>3</sup> (3,000 lb/yd<sup>3</sup>) or less  
C. Suitable for materials with density of 1,500 kg/m<sup>3</sup> (2,500 lb/yd<sup>3</sup>) or less  
D. Suitable for materials with density of 1,200 kg/m<sup>3</sup> (2,000 lb/yd<sup>3</sup>) or less

## Digging forces (ISO)

Arm		Length	Diggingforce (Nom./Press.up, ton)		Bucket	Diggingforce (Nom./Press.up, ton)	
			[SAE]	[ISO]		[SAE]	[ISO]
Arm	STD. Arm	3200mm	[SAE] 16.3 / 17.3	[ISO] 16.9 / 17.9	Bucket	G.P	[SAE] 20.4 / 21.7, [ISO] 23.1 / 24.5
	Short Arm	2600mm	[SAE] 20.0 / 21.2	[ISO] 20.7 / 22.0		H.D	[SAE] 21.5 / 22.8, [ISO] 23.4 / 24.8

# Dimensions

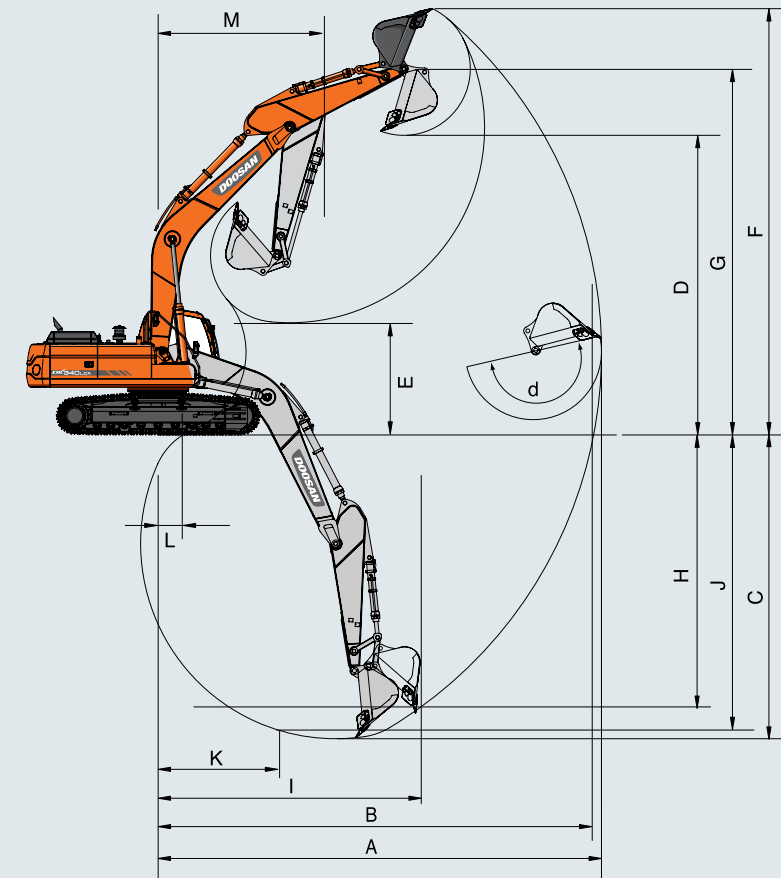


**Standard**  
 Dimensions (6,500mm(21'4")Boom, 3,200mm(10'6")Arm, 600mm(24")shoe)

	(mm)	6,500	6,200
Boom Type (One Piece)	(mm)	6,500	6,200
Arm Type	(mm)	3,200	2,600
Bucket Type (pcsa)	(m <sup>3</sup> )	1.49	1.83
Tail Swing Radius	(mm) A	3,500	←
Shipping Height (Boom)	(mm) B	3,220	3,475
Shipping Height (Hose)	(mm) C	3,360	3,592
Shipping Length	(mm) D	11,280	11,380
Shipping Width (Std.)	(mm) E	3,280	←
Shipping Width (Narrow)	(mm) E*	3,000	←
C/Weight Clearance	(mm) F	1,195	←
Height Over Cab.	(mm) G	3,125	←
House Width	(mm) H	2,990	←
Cab. Height Above House	(mm) I	845	←
Cab. Width	(mm) J	1,010	←
Tumbler Distance	(mm) K	4,040	←
Track Length	(mm) L	4,940	←
Undercarriage Width (Std.)	(mm) M	3,280	←
Shoe Width	(mm) N	600	←
Track Height	(mm) O	1,048	←
Car Body Clearance	(mm) P	510	←

# Working Range

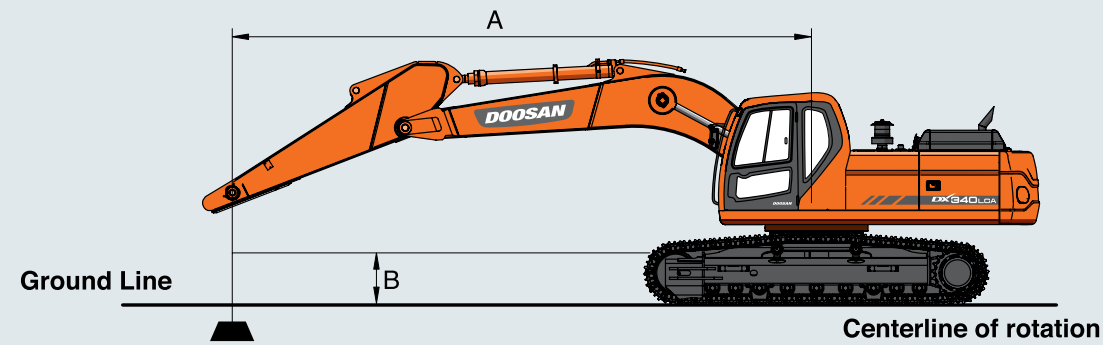
DX340LCA



	(mm)	6,500	6,200
Boom Type (One Piece)	(mm)	6,500	6,200
Arm Type	(mm)	3,200	2,600
Bucket Type (pcsa)	(m <sup>3</sup> )	1.49	1.83
MAX. digging reach	(mm) A	11,168	10,586
Max. digging reach (ground)	(mm) B	10,975	10,382
MAX. digging depth	(mm) C	7,533	6,931
Max. loading height	(mm) D	7,196	6,882
Min. loading height	(mm) E	2,704	3,355
Max. digging height	(mm) F	10,345	9,994
Max. bucket pin height	(mm) G	8,898	8,584
Max. vertical wall depth	(mm) H	5,916	5,121
Max. radius vertical	(mm) I	7,713	7,711
Max. digging depth 8'line	(mm) J	7,361	6,719
Min. radius 8'line	(mm) K	3,393	3,345
Min. digging reach	(mm) L	723	2,180
Min. swing radius	(mm) M	4,413	4,438
Bucket angle	(deg) d	178	178

# Lifting Capacity

DX340LCA



## Standard

Boom : 6,500mm(21'4") Arm : 3,200mm(10'6") Bucket : Without Bucket Shoe : 600mm(24")  
Standard Track : 3,280mm(10'9")

### Metric

Unit : 1,000kg

A(m) B(m)	1.5		3.0		4.5		6.0		7.5		9.0		Max. Reach		A(m)
	Rating Over Front	Rating Over Side or 360 Degree	Rating Over Front	Rating Over Side or 360 Degree	Rating Over Front	Rating Over Side or 360 Degree	Rating Over Front	Rating Over Side or 360 Degree	Rating Over Front	Rating Over Side or 360 Degree	Rating Over Front	Rating Over Side or 360 Degree	Rating Over Front	Rating Over Side or 360 Degree	
7.5									*7.68	7.33			*7.71	6.97	7.71
6.0									*7.78	7.26			*7.62	5.73	8.59
4.5					*11.99	*11.99	*9.58	*9.58	*8.33	7.02	*7.68	5.20	7.58	5.06	9.14
3.0					*15.08	*14.22	*11.03	*9.33	*9.07	6.71	7.64	5.07	7.10	4.70	9.42
1.5					*17.22	*13.24	*12.28	*8.81	*9.76	6.43	7.49	4.92	6.95	4.57	9.45
0					*17.80	*12.83	*12.95	*8.48	9.62	6.22	7.38	4.82	7.11	4.65	9.23
-1.5			*14.10	*14.10	*17.27	*12.76	*12.91	*8.35	9.52	6.13			7.64	4.98	8.76
-3.0	*16.70	*16.79	*21.31	*21.31	*15.81	*12.90	*12.07	*8.39	*9.30	6.18			*8.45	5.72	7.97
-4.5			*17.23	*17.23	*13.14	*13.10	*9.96	*8.63					*8.35	7.36	6.76

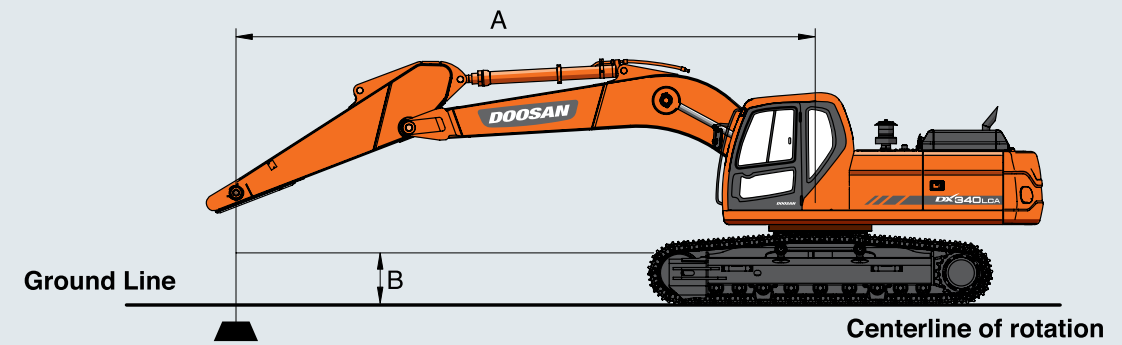
### Feet

Unit : 1,000lb

A(ft) B(ft)	5		10		15		20		25		30		Max. Reach		A(ft)
	Rating Over Front	Rating Over Side or 360 Degree	Rating Over Front	Rating Over Side or 360 Degree	Rating Over Front	Rating Over Side or 360 Degree	Rating Over Front	Rating Over Side or 360 Degree	Rating Over Front	Rating Over Side or 360 Degree	Rating Over Front	Rating Over Side or 360 Degree	Rating Over Front	Rating Over Side or 360 Degree	
25									*17.04	15.68			*17.04	15.67	25.01
20									*17.03	15.60			*16.81	12.76	28.04
15					*25.78	*25.78	*20.75	*20.75	*18.15	15.11			16.79	11.21	29.92
10					*32.42	30.70	*23.86	20.14	*19.71	14.47	16.44	10.90	15.69	10.39	30.88
5					*37.17	28.55	*26.57	19.01	*21.17	13.86	16.12	10.60	15.33	10.08	31.00
0					*38.57	27.63	*28.05	18.29	20.72	13.42	15.90	10.40	15.68	10.26	30.30
-5			*31.86	*31.86	*37.46	27.46	*27.98	17.99	20.51	13.22			16.88	11.01	28.69
-10	*37.58	*37.58	*46.30	*46.30	*34.25	27.75	*26.07	18.09	19.94	13.35			*18.63	12.69	26.03
-15			*37.09	*37.09	*28.22	*28.22	*21.20	18.64					*18.36	16.51	21.92

- Lifting Capacities are in Compliance with ISO 10567
- Loading Point is The End of The Arm.
- Capacities Marked with an Asterisk (\*) are Limited by Hydraulic Capacities.
- Lifting Capacities Shown Do Not Exceed 75% of Minimum Tipping Loads or 87% of Hydraulic Capacities.
- The Least Stable Position is Over the Side.

Rating Over Front  
Rating Over Side or 360 Degree



## Option 1

Boom : 6,500mm(21'4") Arm : 3,200mm(10'6") Bucket : Without Bucket Shoe : 700mm(28")  
Standard Track : 3,200mm(10'6")

### Metric

Unit : 1,000kg

A(m) B(m)	1.5		3.0		4.5		6.0		7.5		9.0		Max. Reach		A(m)		
	Rating Over Front	Rating Over Side or 360 Degree	Rating Over Front	Rating Over Side or 360 Degree	Rating Over Front	Rating Over Side or 360 Degree	Rating Over Front	Rating Over Side or 360 Degree	Rating Over Front	Rating Over Side or 360 Degree	Rating Over Front	Rating Over Side or 360 Degree	Rating Over Front	Rating Over Side or 360 Degree			
7.5									*7.68	7.38			*7.71	7.01	7.71		
6.0									*7.78	7.31			*7.62	5.77	8.59		
4.5							11.99	11.99	*9.58	*9.58	*8.33	7.07	*7.68	5.24	7.64	5.10	9.14
3.0							15.08	14.32	11.03	9.40	*9.07	6.76	7.70	5.11	7.16	4.74	9.42
1.5							17.22	13.34	12.28	8.88	*9.76	6.48	7.55	4.96	7.01	4.61	9.45
0							17.80	12.93	12.95	8.55	9.70	6.27	7.44	4.86	7.17	4.69	9.23
-1.5					14.10	14.10	17.27	12.86	12.91	8.41	9.60	6.18			7.71	5.02	8.76
-3.0	16.79	16.79	21.31	21.31	15.81	13.00	12.07	8.45	*9.30	6.23				*8.45	5.77	7.97	
-4.5					17.23	17.23	13.14	13.14	*9.96	8.69					*8.35	7.42	6.76

### Feet

Unit : 1,000lb

A(ft) B(ft)	5		10		15		20		25		30		Max. Reach		A(ft)
	Rating Over Front	Rating Over Side or 360 Degree	Rating Over Front	Rating Over Side or 360 Degree	Rating Over Front	Rating Over Side or 360 Degree	Rating Over Front	Rating Over Side or 360 Degree	Rating Over Front	Rating Over Side or 360 Degree	Rating Over Front	Rating Over Side or 360 Degree	Rating Over Front	Rating Over Side or 360 Degree	
25									*17.04	15.79			*17.04	15.78	25.01
20									*17.03	15.71			*16.81	12.85	28.04
15					*25.78	*25.78	*20.75	*20.75	*18.15	15.22			*16.87	11.29	29.92
10					*32.42	30.70	*23.86	20.14	*19.71	14.58	16.57	10.98	15.82	10.47	30.88
5					*37.17	28.55	*26.57	19.01	*21.17	13.97	16.25	10.69	15.46	10.17	31.00
0					*38.57	27.63	*28.05	18.29	20.90	13.52	16.03	10.49	15.81	10.34	30.30
-5			*31.86	*31.86	*37.46	27.46	*27.98	17.99	20.68	13.33			17.03	11.10	28.69
-10	*37.58	*37.58	*46.30	*46.30	*34.25	27.75	*26.07	18.09	*19.94	13.46			*18.63	12.79	26.03
-15			*37.09	*37.09	*28.22	*28.22	*21.20	18.64					*18.36	16.64	21.92

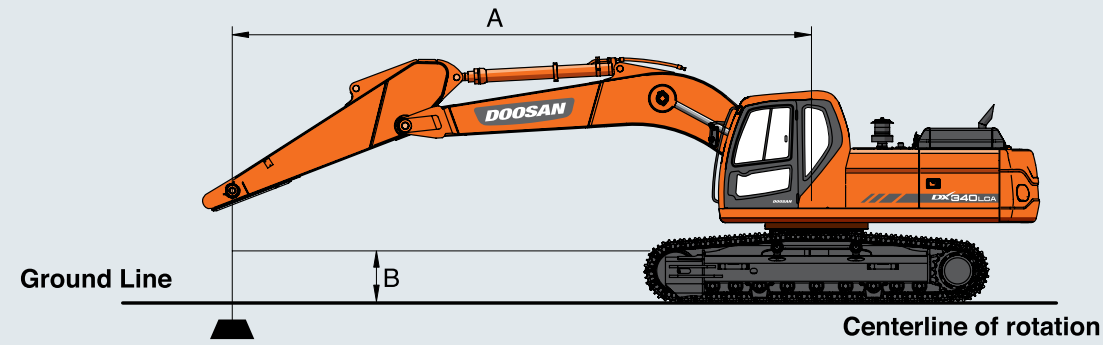
- Lifting Capacities are in Compliance with ISO 10567
- Loading Point is The End of The Arm.
- Capacities Marked with an Asterisk (\*) are Limited by Hydraulic Capacities.
- Lifting Capacities Shown Do Not Exceed 75% of Minimum Tipping Loads or 87% of Hydraulic Capacities.
- The Least Stable Position is Over the Side.

Rating Over Front  
Rating Over Side or 360 Degree



# Lifting Capacity

DX340LCA



## Option 2

Boom : 6,500mm(21'4") Arm : 3,200mm(10'6") Bucket : Without Bucket Shoe : 600mm(24")  
Narrow Track : 3,000mm(9'8")

Metric Unit : 1,000kg

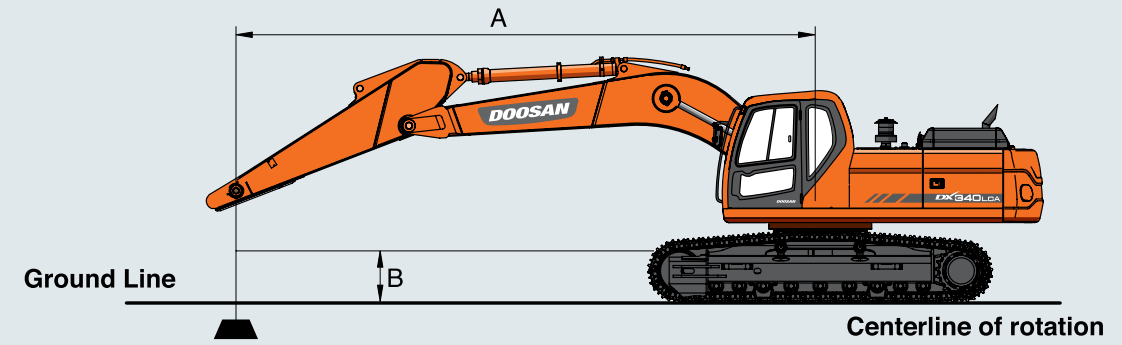
A(m) B(m)	1.5		3.0		4.5		6.0		7.5		9.0		Max. Reach		A(m)
	Rating Over Front	Rating Over Side or 360 Degree	Rating Over Front	Rating Over Side or 360 Degree	Rating Over Front	Rating Over Side or 360 Degree	Rating Over Front	Rating Over Side or 360 Degree	Rating Over Front	Rating Over Side or 360 Degree	Rating Over Front	Rating Over Side or 360 Degree	Rating Over Front	Rating Over Side or 360 Degree	
7.5									* 7.68	6.58			* 7.71	6.25	7.71
6.0									* 7.78	6.51			* 7.62	5.12	8.59
4.5					11.99	11.99	* 9.58	8.87	* 8.33	6.27	* 7.68	4.63	7.55	4.51	9.14
3.0					15.08	12.46	11.03	8.28	* 9.07	5.98	7.61	4.50	7.08	4.18	9.42
1.5					17.22	11.53	12.28	7.78	* 9.76	5.70	7.46	4.36	6.93	4.05	9.45
0					17.80	11.14	12.95	7.46	9.59	5.50	7.35	4.26	7.08	4.11	9.23
-1.5			14.10	14.10	17.27	11.07	12.91	7.33	9.48	5.40			7.61	4.40	8.76
-3.0	16.79	16.79	21.31	21.31	15.81	11.20	12.07	7.37	* 9.30	5.45			* 8.45	5.06	7.97
-4.5			17.23	17.23	13.14	11.52	* 9.96	7.60					* 8.35	6.51	6.76

## Feet

A(ft) B(ft)	5		10		15		20		25		30		Max. Reach		A(ft)
	Rating Over Front	Rating Over Side or 360 Degree	Rating Over Front	Rating Over Side or 360 Degree	Rating Over Front	Rating Over Side or 360 Degree	Rating Over Front	Rating Over Side or 360 Degree	Rating Over Front	Rating Over Side or 360 Degree	Rating Over Front	Rating Over Side or 360 Degree	Rating Over Front	Rating Over Side or 360 Degree	
25									* 17.04	14.06			* 17.04	14.06	25.01
20									* 17.03	13.99			* 16.81	11.41	28.04
15					* 25.78	* 25.78	* 20.75	19.13	* 18.15	13.51			16.73	9.98	29.92
10					* 32.42	26.95	* 23.86	17.89	* 19.71	12.89	16.37	9.68	15.62	9.22	30.88
5					* 37.17	24.89	* 26.57	16.79	21.13	12.29	16.05	9.39	15.27	8.93	31.00
0					* 38.57	24.00	* 28.05	16.09	20.64	11.85	15.83	9.19	15.61	9.07	30.30
-5			* 31.86	* 31.86	* 37.46	23.84	* 27.98	15.80	20.43	11.66			16.82	9.73	28.69
-10	* 37.58	* 37.58	* 46.30	* 46.30	* 34.25	24.12	* 26.07	15.89	* 19.94	11.79			* 18.63	11.22	26.03
-15			* 37.09	* 37.09	* 28.22	24.84	* 21.20	16.43					* 18.36	14.59	21.92

- Lifting Capacities are in Compliance with ISO 10567
- Loading Point is The End of The Arm.
- Capacities Marked with an Asterisk (\*) are Limited by Hydraulic Capacities.
- Lifting Capacities Shown Do Not Exceed 75% of Minimum Tipping Loads or 87% of Hydraulic Capacities.
- The Least Stable Position is Over the Side.

Rating Over Front  
Rating Over Side or 360 Degree



## Option 3

Boom : 6,500mm(21'4") Arm : 2,600mm(8'6") Bucket : Without Bucket Shoe : 600mm(24")  
Standard Track : 3,200mm(10'6")

Metric Unit : 1,000kg

A(m) B(m)	3.0		4.5		6.0		7.5		Max. Reach		A(m)
	Rating Over Front	Rating Over Side or 360 Degree	Rating Over Front	Rating Over Side or 360 Degree	Rating Over Front	Rating Over Side or 360 Degree	Rating Over Front	Rating Over Side or 360 Degree	Rating Over Front	Rating Over Side or 360 Degree	
7.5											
6.0											
4.5											
3.0											
1.5											
0											
-1.5											
-3.0											
-4.5											

## Feet

A(ft) B(ft)	10		15		20		25		Max. Reach		A(ft)
	Rating Over Front	Rating Over Side or 360 Degree	Rating Over Front	Rating Over Side or 360 Degree	Rating Over Front	Rating Over Side or 360 Degree	Rating Over Front	Rating Over Side or 360 Degree	Rating Over Front	Rating Over Side or 360 Degree	
25											
20											
15											
10											
5											
0											
-5											
-10											
-15											

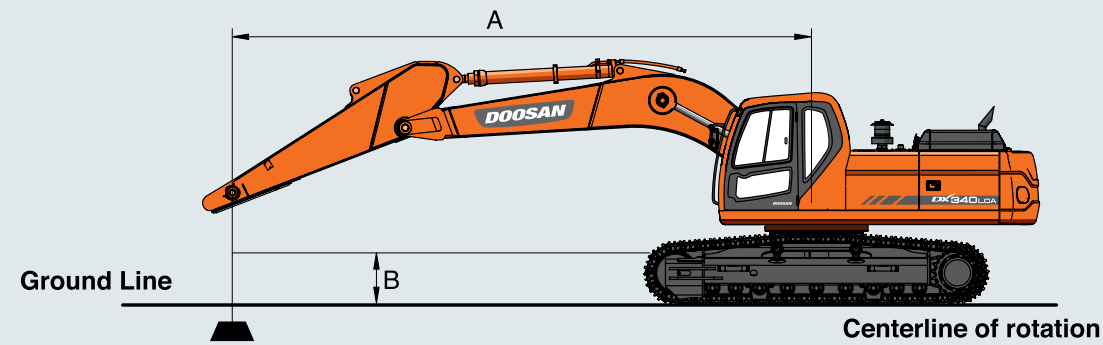
- Lifting Capacities are in Compliance with ISO 10567
- Loading Point is The End of The Arm.
- Capacities Marked with an Asterisk (\*) are Limited by Hydraulic Capacities.
- Lifting Capacities Shown Do Not Exceed 75% of Minimum Tipping Loads or 87% of Hydraulic Capacities.
- The Least Stable Position is Over the Side.

Rating Over Front  
Rating Over Side or 360 Degree



# Lifting Capacity

DX340LCA



## Option 4

Boom : 6,500mm(21'4") Arm : 2,600mm(8'6") Bucket : Without Bucket Shoe : 700mm(28")  
Standard Track : 3,200mm(10'6")

Metric

Unit : 1,000kg

A(m) B(m)	3.0		4.5		6.0		7.5		Max. Reach		A(m)
	Rating Over Front	Rating Over Side or 360 Degree	Rating Over Front	Rating Over Side or 360 Degree	Rating Over Front	Rating Over Side or 360 Degree	Rating Over Front	Rating Over Side or 360 Degree	Rating Over Front	Rating Over Side or 360 Degree	
7.5									* 8.56	8.19	6.98
6.0					* 9.20	* 9.20	* 8.46	7.2	* 8.38	6.52	7.95
4.5			13.37	13.37	10.36	9.84	* 8.90	7.0	* 8.38	5.68	8.53
3.0					11.71	9.27	* 9.55	6.73	7.92	5.25	8.83
1.5					12.75	8.82	9.92	6.48	7.75	5.11	8.87
0			17.72	12.98	13.14	8.57	9.75	6.32	7.96	5.22	8.64
-1.5			16.74	13.03	12.79	8.51	9.70	6.28	8.68	5.67	8.12
-3.0	18.82	18.82	14.88	13.23	11.54	8.62			* 9.05	6.69	7.26
-4.5	14.37	14.37	11.56	11.56					* 8.64	* 8.64	5.91

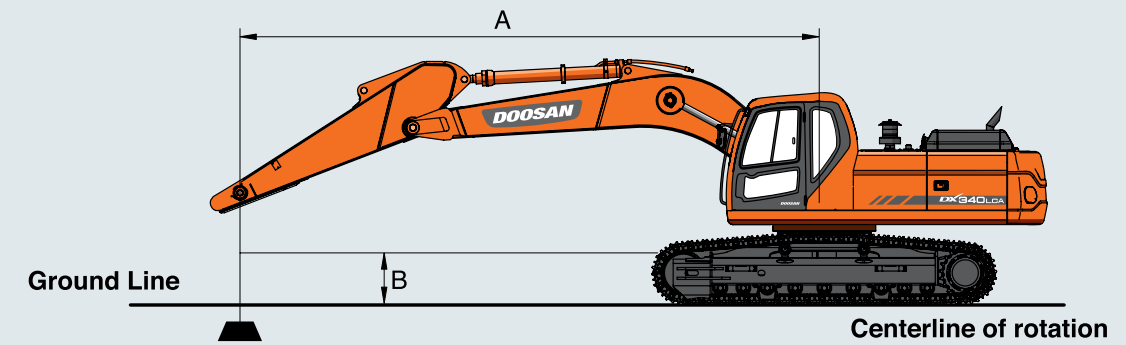
Feet

Unit : 1,000lb

A(ft) B(ft)	10		15		20		25		Max. Reach		A(ft)
	Rating Over Front	Rating Over Side or 360 Degree	Rating Over Front	Rating Over Side or 360 Degree	Rating Over Front	Rating Over Side or 360 Degree	Rating Over Front	Rating Over Side or 360 Degree	Rating Over Front	Rating Over Side or 360 Degree	
25									* 18.93	18.49	22.58
20					* 20.01	* 20.01	* 18.56	15.47	* 18.48	14.55	25.90
15			* 28.69	* 28.69	* 22.42	21.23	* 19.39	15.07	* 18.46	12.59	27.93
10					* 25.31	20.02	* 20.73	14.50	17.48	11.60	28.96
5					* 27.59	19.04	21.37	13.98	17.08	11.26	29.09
0			* 38.48	27.94	* 28.48	18.49	21.0	13.63	17.56	11.52	28.34
-5	* 32.52	* 32.52	* 36.37	28.02	* 27.72	18.35	20.92	13.56	19.18	12.52	26.62
-10	* 40.99	* 40.99	* 32.24	28.47	* 24.89	18.61			* 19.94	14.84	23.72
-15	* 30.87	* 30.87	* 24.70	* 24.70					* 18.93	* 18.93	19.10

- Lifting Capacities are in Compliance with ISO 10567
- Loading Point is The End of The Arm.
- Capacities Marked with an Asterisk (\*) are Limited by Hydraulic Capacities.
- Lifting Capacities Shown Do Not Exceed 75% of Minimum Tipping Loads or 87% of Hydraulic Capacities.
- The Least Stable Position is Over the Side.

Rating Over Front  
Rating Over Side or 360 Degree



## Option 5

Boom : 6,500mm(21'4") Arm : 2,600mm(8'6") Bucket : Without Bucket Shoe : 600mm(24")  
Narrow Track : 3,000mm(9'8")

Metric

Unit : 1,000kg

A(m) B(m)	3.0		4.5		6.0		7.5		Max. Reach		A(m)
	Rating Over Front	Rating Over Side or 360 Degree	Rating Over Front	Rating Over Side or 360 Degree	Rating Over Front	Rating Over Side or 360 Degree	Rating Over Front	Rating Over Side or 360 Degree	Rating Over Front	Rating Over Side or 360 Degree	
7.5									* 8.56	7.29	6.98
6.0					* 9.20	9.19	* 8.46	6.41	* 8.38	5.79	7.95
4.5			13.37	13.34	10.36	8.71	* 8.90	6.21	* 8.38	5.03	8.53
3.0					11.71	8.16	* 9.55	5.94	7.82	4.64	8.83
1.5					12.75	7.73	9.81	5.70	7.65	4.50	8.87
0			17.72	11.19	13.14	7.48	9.63	5.54	7.87	4.59	8.64
-1.5			16.74	11.23	12.79	7.42	9.59	5.51	8.58	4.98	8.12
-3.0	18.82	18.82	14.88	11.43	11.54	7.53			* 9.05	5.87	7.26
-4.5	14.37	14.37	11.56	11.56					* 8.64	* 8.06	5.91

Feet

Unit : 1,000lb

A(ft) B(ft)	10		15		20		25		Max. Reach		A(ft)
	Rating Over Front	Rating Over Side or 360 Degree	Rating Over Front	Rating Over Side or 360 Degree	Rating Over Front	Rating Over Side or 360 Degree	Rating Over Front	Rating Over Side or 360 Degree	Rating Over Front	Rating Over Side or 360 Degree	
25									* 18.93	16.48	22.58
20					* 20.01	19.81	* 18.56	13.76	* 18.48	12.93	25.90
15			* 28.69	* 28.69	* 22.42	18.81	* 19.39	13.37	* 18.46	11.15	27.93
10					* 25.31	17.64	* 20.73	12.82	17.28	10.24	28.96
5					* 27.59	16.68	21.12	12.30	16.87	9.91	29.09
0			* 38.48	24.10	28.48	16.15	20.74	11.97	17.35	10.12	28.34
-5	* 32.52	* 32.52	* 36.37	24.18	* 27.72	16.02	20.66	11.90	18.94	10.99	26.62
-10	* 40.99	* 40.99	* 32.24	24.62	* 24.89	16.26			* 19.94	13.03	23.72
-15	* 30.87	* 30.87	* 24.70	* 24.70					* 18.93	18.18	19.10

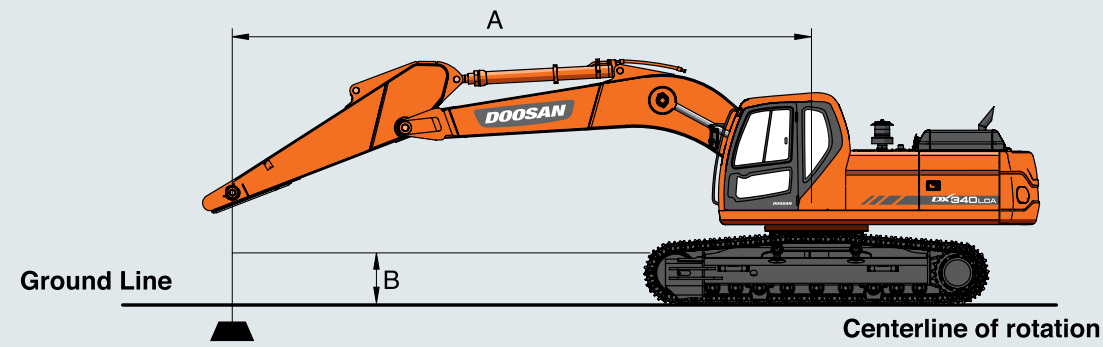
- Lifting Capacities are in Compliance with ISO 10567
- Loading Point is The End of The Arm.
- Capacities Marked with an Asterisk (\*) are Limited by Hydraulic Capacities.
- Lifting Capacities Shown Do Not Exceed 75% of Minimum Tipping Loads or 87% of Hydraulic Capacities.
- The Least Stable Position is Over the Side.

Rating Over Front  
Rating Over Side or 360 Degree



# Lifting Capacity

DX340LCA



## Option 6

Boom : 6,200mm(20'4") Arm : 2,600mm(8'6") Bucket : Without Bucket Shoe : 600mm(24")  
Standard Track : 3,200mm(10'6")

Metric Unit : 1,000kg

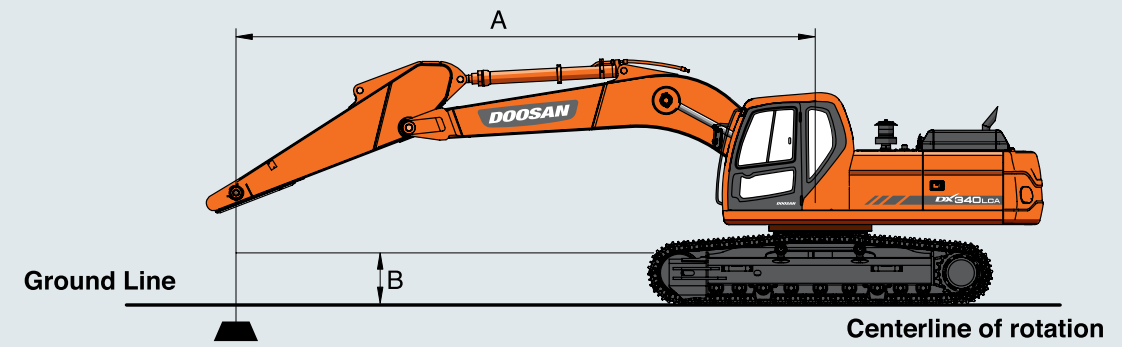
A(m) B(m)	3.0		4.5		6.0		7.5		Max. Reach		A(m)
	Rating Over Front	Rating Over Side or 360 Degree	Rating Over Front	Rating Over Side or 360 Degree	Rating Over Front	Rating Over Side or 360 Degree	Rating Over Front	Rating Over Side or 360 Degree	Rating Over Front	Rating Over Side or 360 Degree	
7.5					* 8.96	* 8.96			* 8.98	8.98	6.58
6.0					* 9.33	* 9.33	* 8.78	7.17	* 8.78	7.0	7.61
4.5			13.09	13.09	10.41	9.91	* 9.11	7.02	* 8.78	6.05	8.22
3.0			16.08	14.22	11.75	9.39	* 9.71	6.78	8.36	5.57	8.53
1.5			17.89	13.41	12.85	8.94	9.96	6.55	8.18	5.42	8.56
0			18.06	13.14	13.31	8.68	9.79	6.39	8.43	5.55	8.32
-1.5	17.81	17.81	17.13	13.14	12.96	8.61	9.76	6.36	9.26	6.06	7.79
-3.0	19.66	19.66	15.13	13.34	11.54	8.73			* 9.58	7.26	6.89
-4.5	14.42	14.42	11.28	11.28					* 9.07	* 9.07	5.44

Feet Unit : 1,000lb

A(ft) B(ft)	10		15		20		25		Max. Reach		A(ft)
	Rating Over Front	Rating Over Side or 360 Degree	Rating Over Front	Rating Over Side or 360 Degree	Rating Over Front	Rating Over Side or 360 Degree	Rating Over Front	Rating Over Side or 360 Degree	Rating Over Front	Rating Over Side or 360 Degree	
25					* 19.80	* 19.80			* 19.88	* 19.88	21.27
20					* 20.34	* 20.34			* 19.36	15.63	24.78
15			* 28.16	* 28.16	* 22.57	21.38	* 19.88	15.12	* 19.35	13.41	26.89
10			* 34.59	30.71	* 25.44	20.26	* 21.12	14.61	18.46	12.30	27.96
5			* 38.66	28.91	* 27.82	19.29	21.46	14.12	18.03	11.94	28.10
0			* 39.18	28.27	* 28.84	18.72	21.10	13.79	18.59	12.24	27.31
-5	* 40.41	* 40.41	* 37.19	28.27	* 28.08	18.57	21.05	13.75	20.46	13.39	25.53
-10	* 42.73	* 42.73	* 32.74	28.72	* 24.84	18.84			* 21.11	16.14	22.49
-15	* 30.82	* 30.82	* 23.94	* 23.94					* 19.85	* 19.85	17.53

- Lifting Capacities are in Compliance with ISO 10567
- Loading Point is The End of The Arm.
- Capacities Marked with an Asterisk (\*) are Limited by Hydraulic Capacities.
- Lifting Capacities Shown Do Not Exceed 75% of Minimum Tipping Loads or 87% of Hydraulic Capacities.
- The Least Stable Position is Over the Side.

Rating Over Front  
Rating Over Side or 360 Degree



## Option 7

Boom : 6,200mm(20'4") Arm : 2,600mm(8'6") Bucket : Without Bucket Shoe : 700mm(28")  
Standard Track : 3,200mm(10'6")

Metric Unit : 1,000kg

A(m) B(m)	3.0		4.5		6.0		7.5		Max. Reach		A(m)
	Rating Over Front	Rating Over Side or 360 Degree	Rating Over Front	Rating Over Side or 360 Degree	Rating Over Front	Rating Over Side or 360 Degree	Rating Over Front	Rating Over Side or 360 Degree	Rating Over Front	Rating Over Side or 360 Degree	
7.5					* 8.96	* 8.96			* 8.98	* 8.98	6.58
6.0					* 9.33	* 9.33	* 8.78	7.22	* 8.78	7.05	7.61
4.5			13.09	13.09	10.41	9.98	* 9.11	7.07	* 8.78	6.09	8.22
3.0			16.08	14.32	11.75	9.45	* 9.71	6.83	8.43	5.61	8.53
1.5			17.89	13.51	12.85	9.01	10.04	6.60	8.24	5.46	8.56
0			18.06	13.24	13.31	8.75	9.87	6.44	8.50	5.60	8.32
-1.5	17.81	17.81	17.13	13.24	12.96	8.68	9.84	6.41	9.33	6.11	7.79
-3.0	19.66	19.66	15.13	13.44	11.54	8.79			* 9.58	7.31	6.89
-4.5	14.42	14.42	11.28	11.28					* 9.07	* 9.07	5.44

Feet Unit : 1,000lb

A(ft) B(ft)	10		15		20		25		Max. Reach		A(ft)
	Rating Over Front	Rating Over Side or 360 Degree	Rating Over Front	Rating Over Side or 360 Degree	Rating Over Front	Rating Over Side or 360 Degree	Rating Over Front	Rating Over Side or 360 Degree	Rating Over Front	Rating Over Side or 360 Degree	
25					* 19.80	* 19.80			* 19.88	* 19.88	21.27
20					* 20.34	* 20.34			* 19.36	15.74	24.78
15			* 28.61	* 28.61	* 22.57	21.52	* 19.88	15.22	* 19.35	13.51	26.89
10			* 34.59	30.92	* 25.44	20.40	* 21.12	14.72	18.61	12.40	27.96
5			* 38.66	29.13	* 27.82	19.44	21.63	14.22	18.18	12.03	28.10
0			* 39.18	28.49	* 28.84	18.86	21.27	13.90	18.74	12.34	27.31
-5	* 40.41	* 40.41	* 37.19	28.49	* 28.08	18.71	21.23	13.86	20.62	13.50	25.53
-10	* 42.73	* 42.73	* 32.74	28.93	* 24.84	18.98			* 21.11	16.26	22.49
-15	* 30.82	* 30.82	* 23.94	* 23.94					* 19.85	* 19.85	17.53

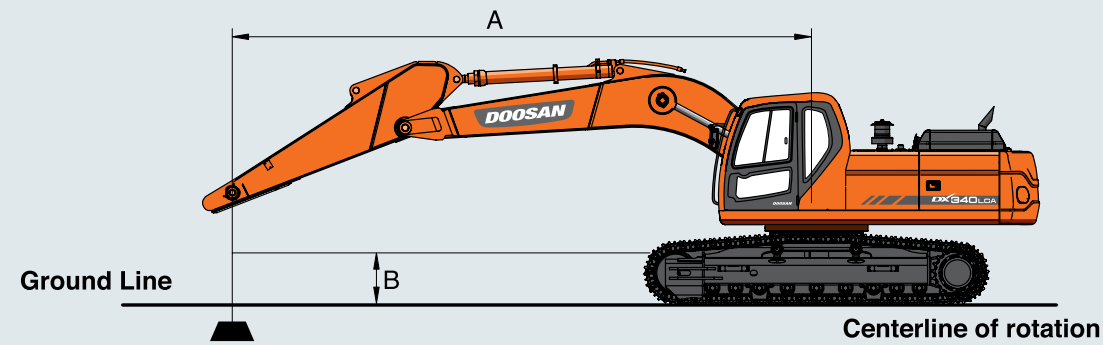
- Lifting Capacities are in Compliance with ISO 10567
- Loading Point is The End of The Arm.
- Capacities Marked with an Asterisk (\*) are Limited by Hydraulic Capacities.
- Lifting Capacities Shown Do Not Exceed 75% of Minimum Tipping Loads or 87% of Hydraulic Capacities.
- The Least Stable Position is Over the Side.

Rating Over Front  
Rating Over Side or 360 Degree



# Lifting Capacity

DX340LCA



## Option 8

Boom : 6,200mm(20'4") Arm : 2,600mm(8'6") Bucket : Without Bucket Shoe : 600mm(24")  
Narrow Track : 3,000mm(9'8")

### Metric

Unit : 1,000kg

A(m) B(m)	3.0		4.5		6.0		7.5		Max. Reach		
	Rating Over Front	Rating Over Side or 360 Degree	Rating Over Front	Rating Over Side or 360 Degree	Rating Over Front	Rating Over Side or 360 Degree	Rating Over Front	Rating Over Side or 360 Degree	Rating Over Front	Rating Over Side or 360 Degree	
7.5					* 8.96	* 8.96			* 8.98	8.06	* 6.58
6.0					* 9.33	9.27	* 8.78	6.43	* 8.78	6.27	* 7.61
4.5			13.09	13.09	10.41	8.85	* 9.11	6.28	* 8.78	5.40	* 8.22
3.0			16.08	12.47	11.75	8.34	* 9.71	6.04	8.33	4.96	* 8.53
1.5			17.89	11.70	12.85	7.91	9.93	5.82	8.15	4.81	* 8.56
0			18.06	11.44	13.31	7.66	9.76	5.67	8.40	4.93	* 8.32
-1.5	17.81	17.81	17.13	11.44	12.96	7.59	9.73	5.64	9.22	5.38	* 7.79
-3.0	19.66	19.66	15.13	11.63	11.54	7.70			* 9.58	6.43	* 6.89
-4.5	14.42	14.42	11.28	11.28					* 9.07	* 9.07	* 5.44

### Feet

Unit : 1,000d

A(ft) B(ft)	10		15		20		25		Max. Reach		
	Rating Over Front	Rating Over Side or 360 Degree	Rating Over Front	Rating Over Side or 360 Degree	Rating Over Front	Rating Over Side or 360 Degree	Rating Over Front	Rating Over Side or 360 Degree	Rating Over Front	Rating Over Side or 360 Degree	
25					* 19.80	* 19.80			* 19.88	18.24	21.27
20					* 20.34	19.98			* 19.36	14.01	24.78
15			* 28.16	* 28.16	* 22.57	19.10	* 19.88	13.52	* 19.35	11.98	26.89
10			* 34.59	26.96	* 25.44	18.01	* 21.12	13.03	18.39	10.96	27.96
5			* 38.66	25.25	* 27.82	17.07	21.38	12.55	17.96	10.61	28.10
0			* 39.18	24.64	* 28.84	16.52	21.02	12.23	18.52	10.86	27.31
-5	* 40.41	* 40.41	* 37.19	24.63	* 28.08	16.37	20.97	12.19	20.38	11.88	25.53
-10	* 42.73	* 42.73	* 32.74	25.06	* 24.84	16.63			* 21.11	14.30	22.49
-15	* 30.82	* 30.82	* 23.94	* 23.94					* 19.85	* 19.85	17.53

- Lifting Capacities are in Compliance with ISO 10567
- Loading Point is The End of The Arm.
- Capacities Marked with an Asterisk (\*) are Limited by Hydraulic Capacities.
- Lifting Capacities Shown Do Not Exceed 75% of Minimum Tipping Loads or 87% of Hydraulic Capacities.
- The Least Stable Position is Over the Side.

Rating Over Front  
Rating Over Side or 360 Degree



Hydraulic Excavator DX340LCA







**Doosan Infracore Korea Office**

27/F, Doosan Tower 18-12, Euljiro-6Ga, Jung-Gu  
Seoul 100-730 Korea  
Tel : 82 2 3398 8114

**Doosan Infracore Europe S.A.**

Add 1A, Rue Achille Degrace Frameries B7080 Belgium  
Tel : 32 478295266

**Doosan Infracore U.K.**

Unit 6.3- Nantgarw Park Treforest Ind. Estate Cardiff  
CF157QU U.K.  
Tel : 44 1443 845650

**Doosan Infracore Europe S.A. Germany**

Heinrich von stephan Strasse 2 Langenfeld-Fuhrkamp  
DE-40764 Germany  
Tel : 49 2173 2035218

**Doosan Infracore France**

ZAC de la Clef Saint Pierre - Buroplus 2 1a,  
avenue Jean d' Alembert Elancourt F78990 France  
Tel : 33 1 3016 2151

**Doosan Infracore America Corporation**

2905 Shawnee Industrial Way, Suwanee, Georgia 30024, U. S. A  
Tel : 770 831 2236

**Doosan Infracore China Co., Ltd.**

No.28 Wuzhishan Road, Eco&Tech. Development Area,  
Yantai Shandong 264006 China  
Tel : 135 0535 2797

**Doosan Infracore Russia**

123610, MOSCOW / Russia Fed., Kransnopresnenskaya quay 12,  
Office No. 1503  
Tel: 7 495 258 1837

**Doosan Infracore Middle East Center (Dubai)**

P.O. Box 262688, Jebel Ali, Dubai - UAE  
Tel : 971 4 8864660, 8855828

**Doosan Infracore do Brasil Serviços de Suporte Comercial Ltda.**

Alameda Santos 2222 CJ52, 5a andar, Cerqueria Cesar  
CEP 01418.200 Sao Paulo Brazil  
Tel : 55 11 3061 3227

**Doosan Infracore India Pvt.Ltd**

3rd Floor, TNPL Building No.67, Mount Road,  
Guindy Chennai 600032 India  
Tel : 91 99 4064 8687

